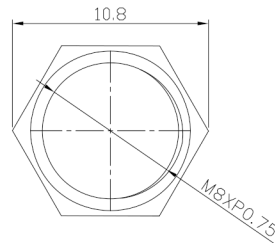
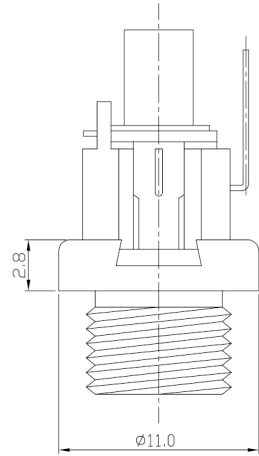




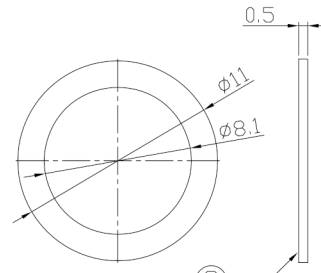
RoHS Compliant  
2002/95/EC

REV.	ECN.	NO.	APPD.

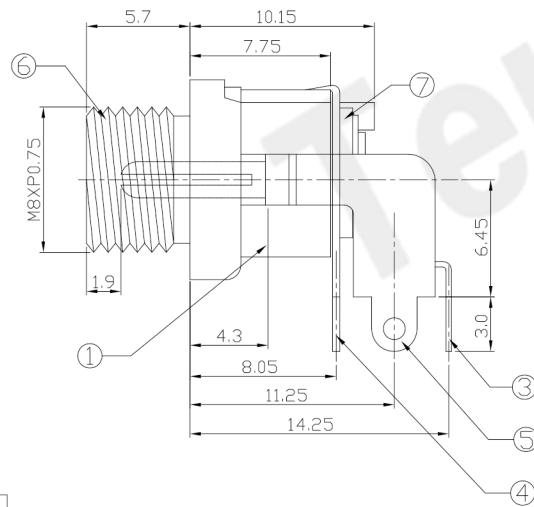
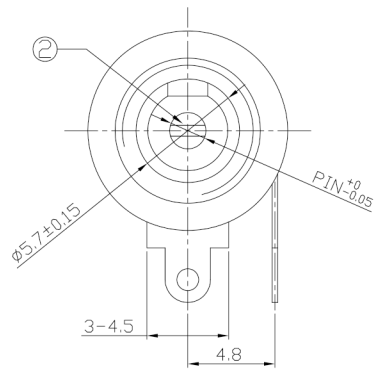
### DIMENSIONS



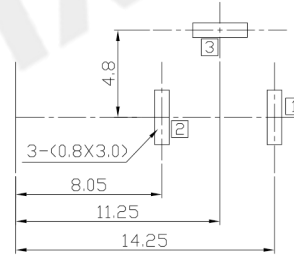
Nut



Washer

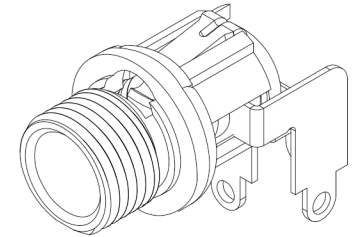


RECOMMENDED P.C.B. LAYOUT  
UNSPECIFIED TOLERANCE:±0.05  
(COPPER-SIDED VIEW)



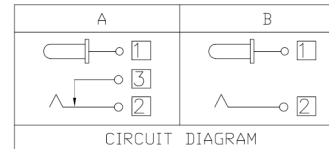
### MODEL CODE:

- DCB0-0124M- A □ PB BK S 0 4  
 (1) (2) (3)(4) (5) (6) (7)(8) (9)  
 (1):Series type:DIP DC POWER JACK.  
 (2):Series No.  
 (3):Schematic option: A , B  
 (4):Center pin diameter:  
 H=φ2.0 , J=φ2.5  
 (5):Material of housing:  
 PB=PBT (Standard)  
 (6):Housing color:  
 BK=Black  
 (7):Terminal plating  
 S=Silver(Ag)  
 (8):Special option:  
 0=No special option  
 D=Do not spare parts  
 (9):Packing mode:  
 4=Bag packing



### SPECIFICATION:

- Rating : DC 30V 3A;
- Contact resistance: ≤30mΩ;  
After test:≤50mΩ
- Insulation resistance: ≥100MΩ (DC500V);  
After test:≥50MΩ
- Withstand voltage: 500VAC ;
- Insertion and extraction force: 3-30N;
- life test: 5,000 cycles;
- Operation temperature range:-20°C~70°C;
- Preservative temperature range:-40°C~85°C;



DC MATE PLUG

Model No.	H	J
CENTER PIN	φ2.0	φ2.5

○: ITEM NO. □: TERMINAL NO.

NO.	PARTS	MATERIAL	Q'TY	FINISHING
9	Washer-2	Brass	1	Ni40u*Min. Plating
8	Nut	Brass	1	Ni40u*Min. Plating
7	Washer-1	Bakelite	2	
6	Bushing	Brass	1	CuSn10u*Min. Plating
5	Shunt Terminal 3	Phosphor Bronze	1	
4	Tip Spring 2	Phosphor Bronze	1	Ag:8u*Min. Plating
3	Center pin contact 1	Brass	1	
2	Center pin	Brass	1	CuSn10u*Min. Plating
1	Housing	PBT UL94V-0	1	Black

THESE DRAWINGS AND SPECIFICATIONS ARE THE PROPERTY OF ACCURATE INNO TECH INC AND SHALL NOT BE REPRODUCED, COPIED OR USED IN ANY MANNER WITHOUT THE PRIOR WRITTEN CONSENT OF ACCURATE INNO TECH INC.

<b>东莞市腾兴电子有限公司</b>			
TITLE: DIP DC POWER JACK		PART NO.: DCB0-0124M	
DR: Ricky 2019/05/03		DWG NO.: AB0-0124M	
CHKD: Ricky 2019/05/03		SCALE: 1:1	SHEET: 1/1
APPD:		REV: A	CUSTOMER DRAWING