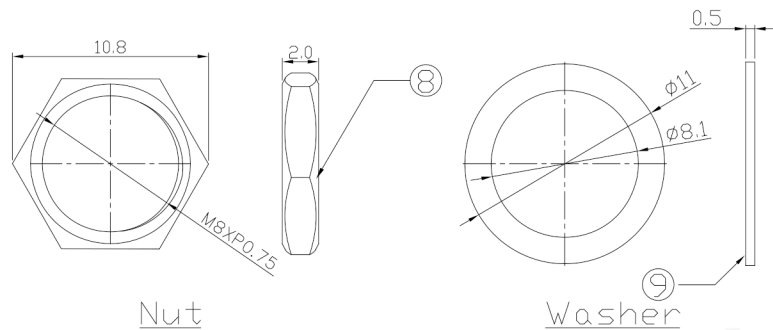
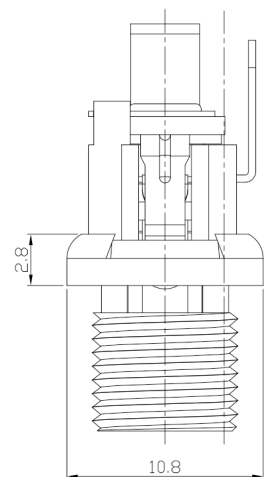




RoHS Compliant
2002/95/EC

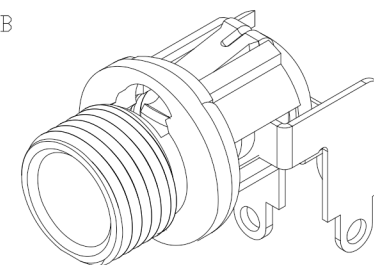
REV.	ECN.	NO.	APPD.

DIMENSIONS



Nut

Washer

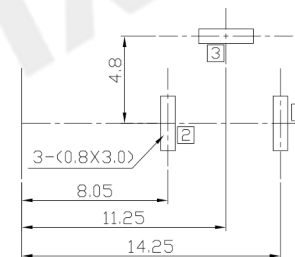
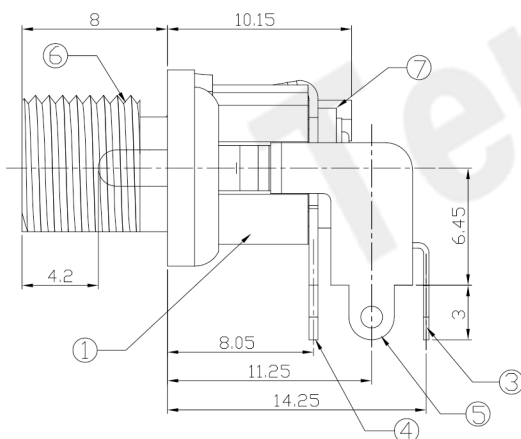
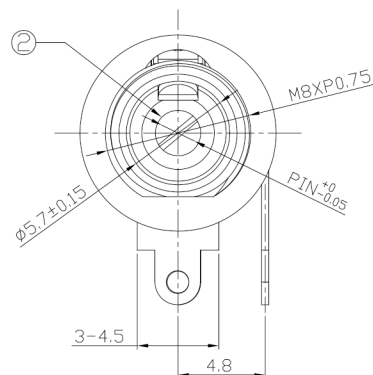


MODEL CODE:

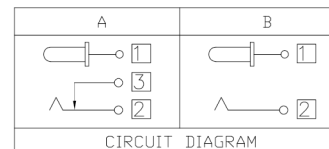
DCB0-0125M- A □ PB BK S 0 4
 (1) (2) (3)(4) (5) (6) (7)(8) (9)
 (1):Series type:DIP DC POWER JACK.
 (2):Series No.
 (3):Schematic option: A , B
 (4):Center pin diameter:
 H=∅2.0 , J=∅2.5
 (5):Material of housing:
 PB=PBT (Standard)
 (6):Housing color:
 BK=Black
 (7):Terminal plating
 S=Silver(Ag)
 (8):Special option:
 0=Mate nut
 B=Mate nuts to be assembled.
 (9):Packing mode:
 4=Bag packing

SPECIFICATION:

- Rating : DC 30V 3A;
- Contact resistance: ≤30mΩ;
After test:≤50mΩ
- Insulation resistance: ≥100MΩ (DC500V);
After test:≥50MΩ
- Withstand voltage: 500VAC ;
- Insertion and extraction force: 3-30N;
- life test: 5,000 cycles;
- Operation temperature range:-20°C~70°C;
- Preservative temperature range:-40°C~85°C;



RECOMMENDED P.C.B. LAYOUT
UNSPECIFIED TOLERANCE:±0.05
(COPPER-SIDED VIEW)



DC MATE PLUG

Model No.	H	J
CENTER PIN	∅2.0	∅2.5

○: ITEM NO. □: TERMINAL NO.

NO.	PARTS	MATERIAL	Q'TY	FINISHING
9	Washer-2	Brass	1	Nickel plating
8	Nut	Brass	1	Nickel plating
7	Washer-1	Bakelite(PF)	2	
6	Bushing	Brass	1	CuSn plating
5	Shunt Terminal 3	Phosphor Bronze	1	Silver plating
4	Tip Spring 2	Phosphor Bronze	1	Silver plating
3	Center pin contact 1	Brass	1	Silver plating
2	Center pin 1	Brass	1	CuSn plating
1	Housing	PBT UL94V-0	1	Black

THESE DRAWINGS AND SPECIFICATIONS ARE THE PROPERTY OF ACCURATE INNO TECH INC AND SHALL NOT BE REPRODUCED, COPIED OR USED IN ANY MANNER WITHOUT THE PRIOR WRITTEN CONSENT OF ACCURATE INNO TECH INC.

TOLERANCE	ANGLES	UNITS	mm
.X ±0.38	X ±5°	MAT'L	SEE NOTE
.XX ±0.30	.X ±3°	FINISH	SEE NOTE
.XXX ±0.15	.XX ±2°	Q'TY	

东莞市腾兴电子有限公司

TITLE:	DIP DC POWER JACK	PART NO.:	DCB0-0125M
DR:	Ricky 2019/05/03	DWG NO.:	AB0-0125M
CHKD:	Ricky 2019/05/03	SCALE	SHEET
APPD:		1:1	1/1
		REV.	A
		CUSTOMER DRAWING	