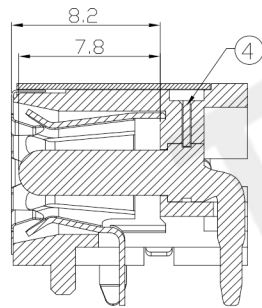
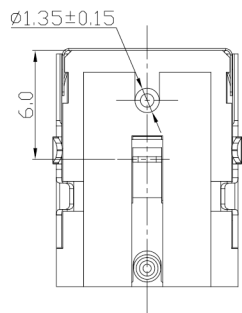
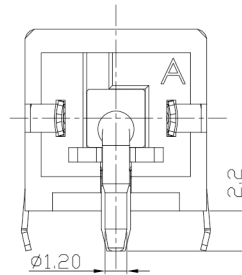
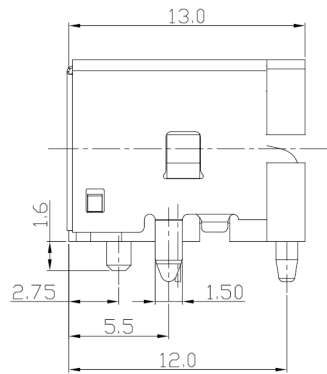
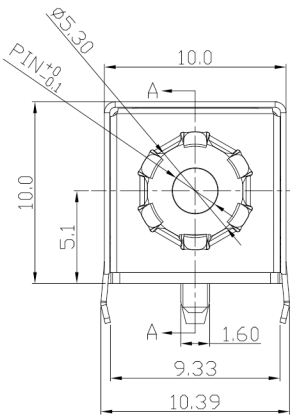




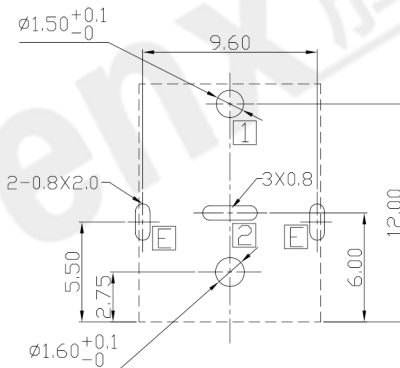
RoHS
Compliant
2002/95/EC

Halogen Free

DIMENSIONS



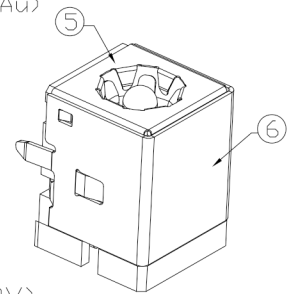
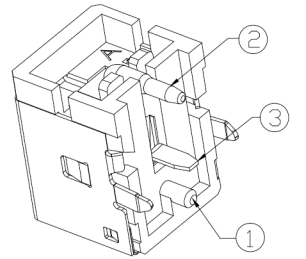
SECTION A-A
(Long Center pin end is Circle)



RECOMMENDED P.C.B. LAYOUT
UNSPECIFIED TOLERANCE: ±0.05
(TOP VIEW)

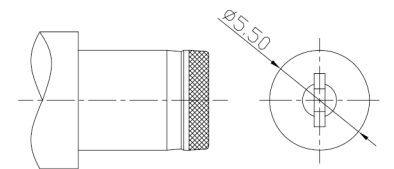
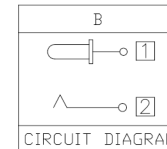
MODEL CODE:

- DCB0-0146A- B □ 10 BK S 0 1
(1) (2) (3)<4> (5) (6) (7)<8> (9)
(1):Series type:DIP DC POWER JACK.
(2):Series No.
(3):Schematic option: B
(4):Center pin diameter:
G=∅1.65 , H=∅2.0 , J=∅2.5
(5):Material of housing:
10=PA10T(Standard)
(6):Housing color:
BK=Black , 3C=Orange(157C)
(7):Terminal plating
T=Tin(Sn) , S=Silver(Ag) , G=Gold(Au)
(8):Special option:
0=No Special Option
(9):Packing mode:
1=Reel packing
3=Plastic box packing



SPECIFICATION:

- Rating : DC 20V 4A;
- Contact resistance: ≤30mΩ;
After test: ≤50mΩ
- Insulation resistance: ≥100MΩ (DC500V);
After test: ≥50MΩ
- Withstand voltage: 500VAC;
- Insertion and extraction force: 3-30N;
- life test: 5,000 cycles;
- Operation temperature range: -20°C~70°C;
- Preservative temperature range: -40°C~85°C;



DC MATE PLUG

Model No.	G	H	J
CENTER PIN	∅1.65	∅2.0	∅2.5

○: ITEM NO. □: TERMINAL NO.

NO.	PARTS	MATERIAL	Q'TY	FINISHING
⑥	Ground Terminal [E]	Copper Alloy	1	Ni plating
⑤	Shield plate	Stainless steel	1	
④	Terminal	Copper Alloy	1	
③	Tip spring [2]	Copper Alloy	1	See "Ordering info"
②	Center pin [1]	Zn Alloy	1	Long Center pin end is Circle Ni plating
①	Housing	High temp.Thermoplastic	1	Halogen Free, Black

THESE DRAWINGS AND SPECIFICATIONS ARE THE PROPERTY OF ACCURATE INNOTECH INC AND SHALL NOT BE REPRODUCED, COPIED OR USED IN ANY MANNER WITHOUT THE PRIOR WRITTEN CONSENT OF ACCURATE INNOTECH INC.

TOLERANCE	ANGLES	UNITS	mm
.X ±0.50	X ±5°	MAT'L	
.XX ±0.30	.X ±3°	SEE NOTE	
.XXX ±0.15	.XX ±2°	FINISH	
		SEE NOTE	
		Q'TY	

东莞市腾兴电子有限公司

TITLE:	DIP DC POWER JACK	PART NO.:	DCB0-0146A
DR:	Ricky 2019/05/03	DWG NO.:	AB0-0146A
CHKD:	Ricky 2019/05/03	SCALE	1:1
APPD:		SHEET	1/1
		REV.	A
		CUSTOMER DRAWING	