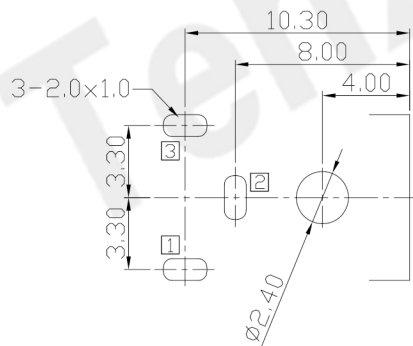
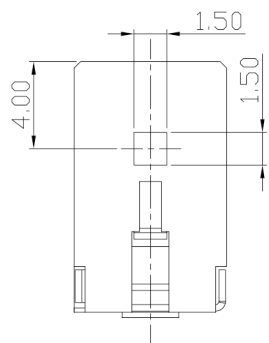
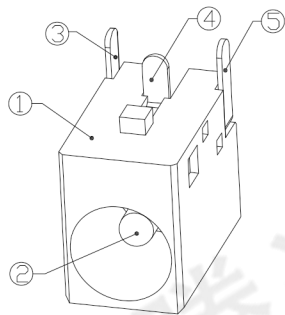
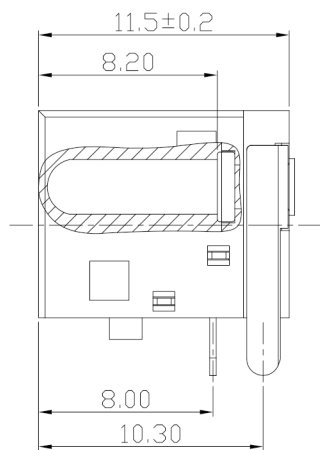
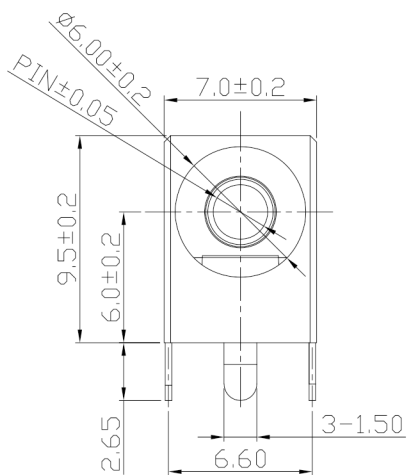




RoHS
Compliant
2002/95/EC

DIMENSIONS



RECOMMENDED P.C.B. LAYOUT
UNSPECIFIED TOLERANCE:±0.05
(TOP VIEW)

○: ITEM NO. □: TERMINAL NO.

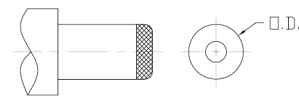
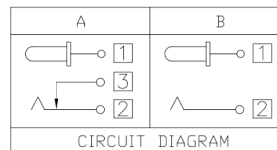
MODEL CODE:

DCB0-00360- A □ PB BK S 0 4

- (1):Series type:DIP DC POWER JACK.
- (2):Series No.
- (3):Schematic option: A , B
- (4):Center pin diameter:
G=Ø1.65 , H=Ø2.0 , I=Ø2.35 , J=Ø2.5
- (5):Material of housing:
PB=PBT (Standard)
- (6):Housing color:
BK=Black
8A=Gray(0144)
4K=Yellow(XH1221)=PBT4815
- (7):Terminal plating
S=Silver(Ag)
- (8):Special option:
0=No special option
- (9):Packing mode:
4=Bag packing

SPECIFICATION:

- 1.Rating : DC 20V 3A;
- 2.Contact resistance: ≤50mΩ;
After test:≤100mΩ
- 3.Insulation resistance: ≥100MΩ (DC500V);
After test:≥50MΩ
- 4.Withstand voltage: 500VAC ;
- 5.Insertion and extraction force: 3-30N;
- 6.life test: 5,000 cycles;
- 7.Operation temperature range:-20°C~70°C;
- 8.Preservative temperature range:-40°C~85°C;



DC MATE PLUG

Model No.	G	H	I	J
CENTER PIN	Ø1.65	Ø2.0	Ø2.35	Ø2.5
DC MATE PLUG	Ø4.75	Ø5.5	Ø5.5	Ø5.5

NO.	PARTS	MATERIAL	Q'TY	FINISHING	TOLERANCE	ANGLES	UNITS	mm
⑤	Shunt terminal ③	Brass	1	Ag Plating	.X ±0.50	X ±5'	MAT'L	
④	Tip spring ②	SUS301-1/2H	1	Ag Plating	.XX ±0.30	.X ±3'	SEE NOTE	
③	Center pin terminal ①	Brass	1	Ag Plating	.XXX ±0.15	.XX ±2'	FINISH	
②	Center pin	H65	1	Ni plating			SEE NOTE	
①	Housing	PBT4815 UL94V-0	1	See P/N ordering info			Q'TY	

THESE DRAWINGS AND SPECIFICATIONS ARE THE PROPERTY OF ACCURATE INNOTECH INC AND SHALL NOT BE REPRODUCED, COPIED OR USED IN ANY MANNER WITHOUT THE PRIOR WRITTEN CONSENT OF ACCURATE INNOTECH INC.

东莞市腾兴电子有限公司

TITLE: DIP DC POWER JACK PART NO.: DCB0-00360

DR: Ricky 2019/04/12 DWG NO.: AB0-00360

CHKD: Ricky 2019/04/12 SCALE SHEET REV. CUSTOMER DRAWING
1:1 1/1 A

