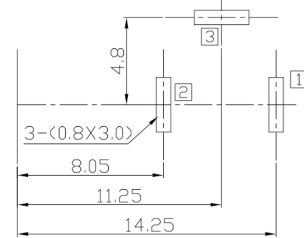
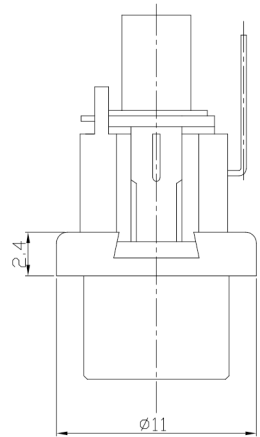




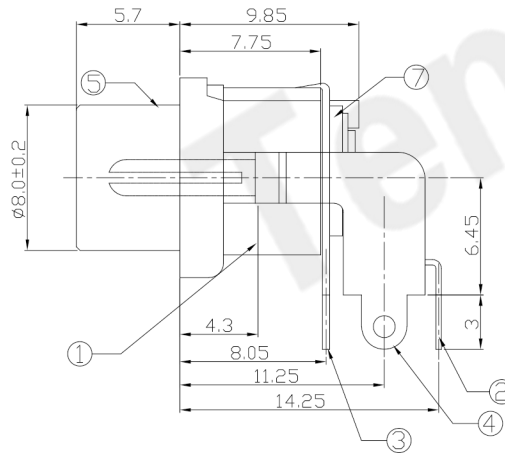
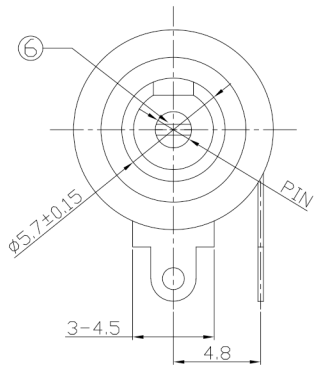
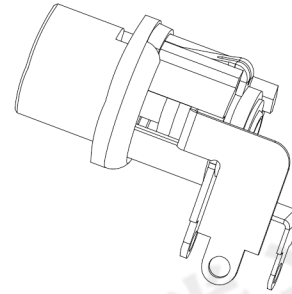
RoHS
Compliant
2002/95/EC

REV.	ECN.	NO.	APPD.

DIMENSIONS



P.C.B Layout
(Printed-sided view)



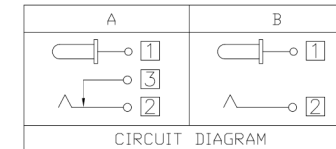
MODEL CODE:

DCB0-01240- A □ PB BK S 0 4
(1) (2) (3)(4) (5) (6) (7)(8) (9)

- (1):Series type:DIP DC POWER JACK.
- (2):Series No.
- (3):Schematic option: A , B
- (4):Center pin diameter:
H=φ2.0 , J=φ2.5
- (5):Material of housing:
PB=PBT (Only)
- (6):Housing color:
BK=Black (Only)
- (7):Terminal plating
S=Silver(Ag)
T=Tin(Sn)
C=copper&tin alloy plating (Standard)
- (8):Special option:
0=No special option
- (9):Packing mode:
4=Bag packing

SPECIFICATION:

- 1.Rating : DC 30V 3A;
- 2.Contact resistance: ≤30mΩ;
- 3.Insulation resistance: ≥100MΩ (DC250V);
- 4.Withstand voltage: 500VAC ;
- 5.Insertion and extraction force: 3-30N;
- 6.life test: 5,000 cycles;
- 7.Operaton temperature range:-20°C~70°C;
- 8.Preservative temperature range:-40°C~85°C;



Model No.	H	J
CENTER PIN	φ2.0	φ2.5

DC MATE PLUG

○: ITEM NO. □: TERMINAL NO.

NO.	PARTS	MATERIAL	Q'TY	FINISHING
⑥	Center pin ①	Phosphor bronze	1	Ni-Plating
⑤	Bushing	Brass	1	Ni-Plating
④	Shunt terminal ③	Phosphor bronze	1	Cu-Sn-Plating
③	Tip spring ②	Phosphor bronze	1	Cu-Sn-Plating
②	Center pin terminal ①	Brass	1	Cu-Sn-Plating
①	Housing	PBT	1	Black

THESE DRAWINGS AND SPECIFICATIONS ARE THE PROPERTY OF ACCURATE INNTECH INC AND SHALL NOT BE REPRODUCED, COPIED OR USED IN ANY MANNER WITHOUT THE PRIOR WRITTEN CONSENT OF ACCURATE INNTECH INC.

TOLERANCE	ANGLES	UNITS	东莞市腾兴电子有限公司 TITLE: DIP DC POWER JACK PART NO.: DCB0-01240 DR: Ricky 2019/05/03 DWG NO.: AB0-01240 CHKD: Ricky 2019/05/03 APPD:			
±0.3	±2'	mm				
SEE NOTE	SEE NOTE	MAT'L				
SEE NOTE	SEE NOTE	FINISH				
Q'TY	SCALE	SHEET	REV.	CUSTOMER DRAWING		
①	1:1	1/1	A			