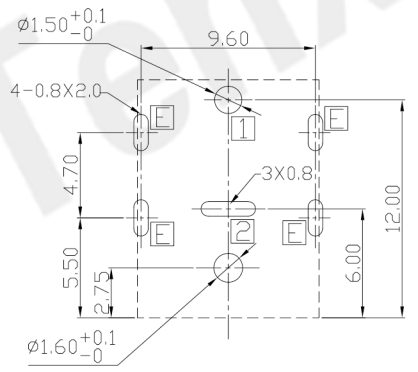
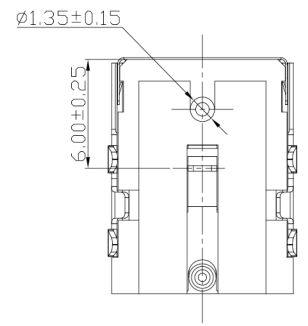
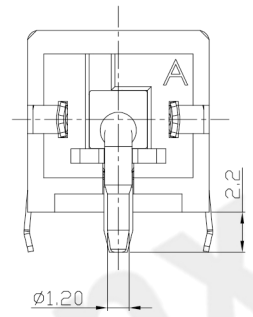
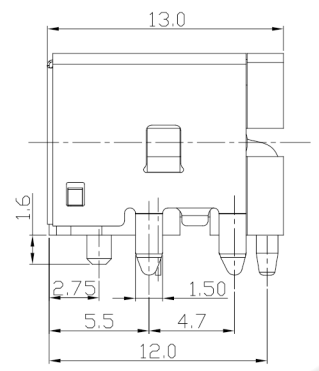
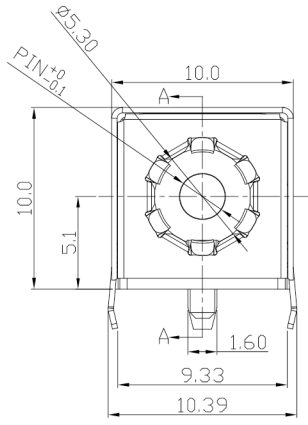
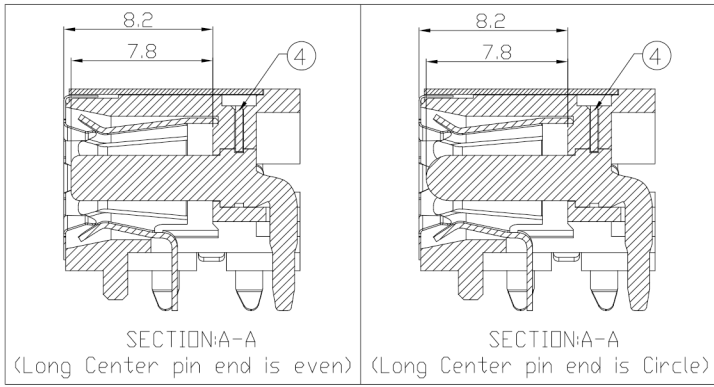


Pb RoHS Compliant
Process Capable 2002/95/EC

Halogen Free

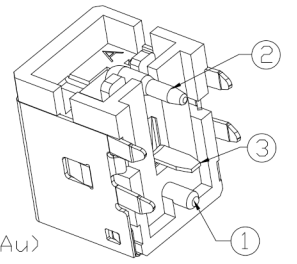
DIMENSIONS



RECOMMENDED P.C.B. LAYOUT
UNSPECIFIED TOLERANCE: ±0.05
(TOP VIEW)

MODEL CODE:
DCB0-01460- B □ 10 BK S 0 1
(1) (2) (3)<(4) (5) (6) (7)<(8) (9)
(1):Series type:DIP DC POWER JACK.
(2):Series No.
(3):Schematic option: B
(4):Center pin diameter:
G=φ1.65, H=φ2.0, J=φ2.5
(5):Material of housing:
10=PA10T(Standard)
(6):Housing color:
BK=Black, 3C=Orange(157C)
(7):Terminal plating
T=Tin(Sn), S=Silver(Ag), G=Gold(Au)
(8):Special option:

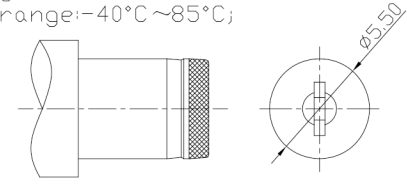
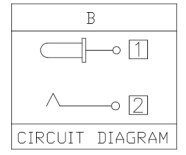
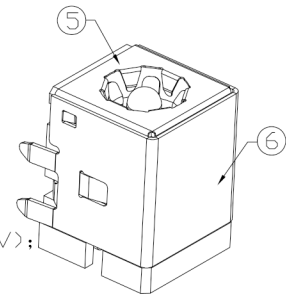
REV.	ECN. NO.	APPD.



DESCRIPTION	Code	Specification	Plating
Center pin	1	Long Center pin end is even	Ni plating
	A		Au plating
	0		Ni plating
Center pin and Ground Terminal	G	Long Center pin end is Circle	Au plating
	T		Sn plating

(9):Packing mode:
1=Reel packing
3=Plastic box packing
4=Bag packing

SPECIFICATION:
1.Rating : DC 20V 4A;
2.Contact resistance: ≤30mΩ;
After test:≤50mΩ
3.Insulation resistance: ≥100MΩ (DC500V);
After test:≥50MΩ
4.Withstand voltage: 500VAC;
5.Insertion and extraction force: 3-30N;
6.life test: 5,000 cycles;
7.Operation temperature range:-20°C~70°C;
8.Preservative temperature range:-40°C~85°C;



Model No.	G	H	J
CENTER PIN	φ1.65	φ2.0	φ2.5

DC MATE PLUG

○: ITEM NO. □: TERMINAL NO.

NO.	PARTS	MATERIAL	Q'TY	FINISHING	TOLERANCE	ANGLES	UNITS
⑥	Ground Terminal [E]	Copper Alloy	1	Tin/Ni plating			mm
⑤	Shield plate	Stainless steel	1		.X ±0.50	X ±5°	MAT'L
④	Terminal	Copper Alloy	1		.XX ±0.30	.X ±3°	SEE NOTE
③	Tip spring [2]	Copper Alloy	1	See "Ordering info"	.XXX ±0.15	.XX ±2°	FINISH
②	Center pin [1]	Zn Alloy	1	See "Ordering info"			SEE NOTE
①	Housing	High temp.Thermoplastic	1	Halogen Free, Black			Q'TY
NO.	PARTS	MATERIAL	Q'TY	FINISHING			

THESE DRAWINGS AND SPECIFICATIONS ARE THE PROPERTY OF ACCURATE INNOVTECH INC AND SHALL NOT BE REPRODUCED, COPIED OR USED IN ANY MANNER WITHOUT THE PRIOR WRITTEN CONSENT OF ACCURATE INNOVTECH INC.

东莞市腾兴电子有限公司

TITLE: DIP DC POWER JACK	PART NO.: DCB0-01460
DR: Ricky 2019/05/03	DWG NO.: AB0-01460
CHKD: Ricky 2019/05/03	SCALE SHEET REV. CUSTOMER DRAWING 1:1 1/1 A
APPD:	