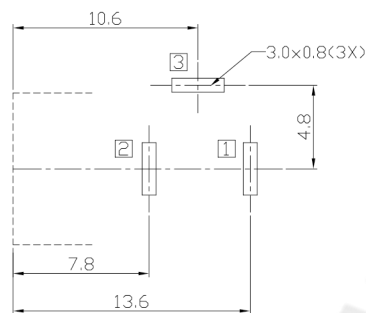
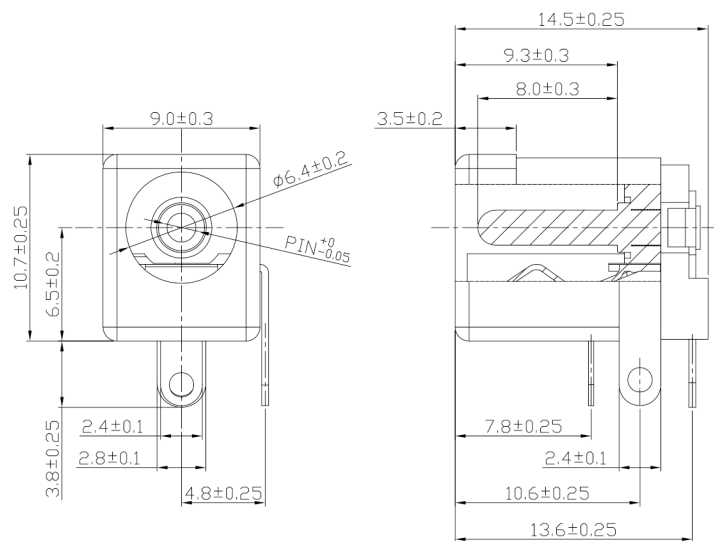


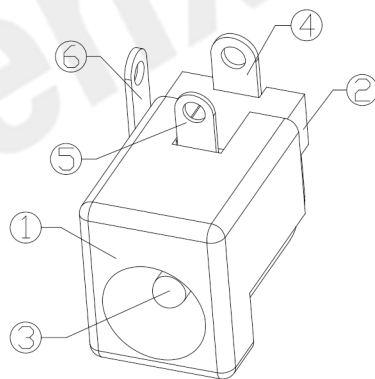
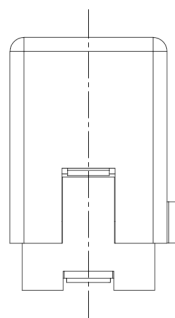


RoHS
Compliant
2002/95/EC

DIMENSIONS



RECOMMENDED P.C.B. LAYOUT
UNSPECIFIED TOLERANCE:±0.05
(BOTTOM VIEW)



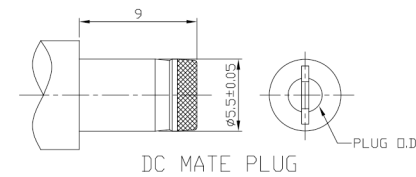
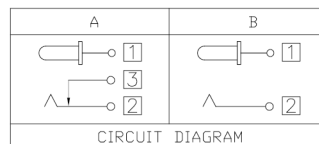
MODEL CODE:

DCB0-50060- A □ PB BK I 0 4

- (1):Series type:DIP DC POWER JACK.
- (2):Series No.
- (3):Schematic option: A , B
- (4):Center pin diameter:
H=∅2.0 , I=∅2.35 , J=∅2.5
- (5):Material of housing:
PB=PBT , 9T=PA9T
- (6):Housing color:
BK=Black (Standard)
9F=PBT 4815 WHITE
- (7):Terminal plating
T=Tin(Sn)
- (8):Special option:
0=No special option
(Center with CuSn plating)
A=Center with gold flash plating
- (9):Packing mode:
4=Bag packing

SPECIFICATION:

- 1.Rating : DC 16V 5A;
- 2.Contact resistance: ≤30mΩ;
After test:≤50mΩ
- 3.Insulation resistance: ≥100MΩ (DC500V);
After test:≥50MΩ
- 4.Withstand voltage: 500VAC ;
- 5.Insertion and extraction force: 3-30N;
- 6.life test: 5,000 cycles;
- 7.Operation temperature range:-20°C~70°C;
- 8.Preservative temperature range:-40°C~85°C;



Model No.	H	I	J
CENTER PIN	∅2.0	∅2.35	∅2.5
PLUG D.D.	2.05 ^{+0.1} ₋₀	2.40 ^{+0.1} ₋₀	2.55 ^{+0.1} ₋₀

○: ITEM NO. □: TERMINAL NO.

NO.	PARTS	MATERIAL	Q'TY	FINISHING	TOLERANCE	ANGLES	UNITS
⑥	Shunt terminal ③	Brass t=0.40	1	Tin plating	.X ±0.50	X ±5'	mm
⑤	Tip spring ②	Phosphor bronze t=0.3	1	Tin plating	.XX ±0.30	.X ±3'	MAT'L
④	Center pin terminal ①	Brass t=0.40	1	Tin plating	.XXX ±0.15	.XX ±2'	SEE NOTE
③	Center pin	Brass	1	See P/N info			FINISH
②	Cover	PBT/PA9T UL 94V-0	1	White/Black			SEE NOTE
①	Housing	PBT/PA9T UL 94V-0	1	White/Black			Q'TY

THESE DRAWINGS AND SPECIFICATIONS ARE THE PROPERTY OF ACCURATE INNO TECH INC AND SHALL NOT BE REPRODUCED, COPIED OR USED IN ANY MANNER WITHOUT THE PRIOR WRITTEN CONSENT OF ACCURATE INNO TECH INC.

东莞市腾兴电子有限公司

TITLE: **DIP DC POWER JACK** PART NO.: **DCB0-50060**

DR: *Ricky* 2019/05/06 DWG NO.: **AB0-50060**

CHKD: *Ricky* 2019/05/06

APPD:

SCALE	SHEET	REV.	CUSTOMER DRAWING
1:1	1/1	A	