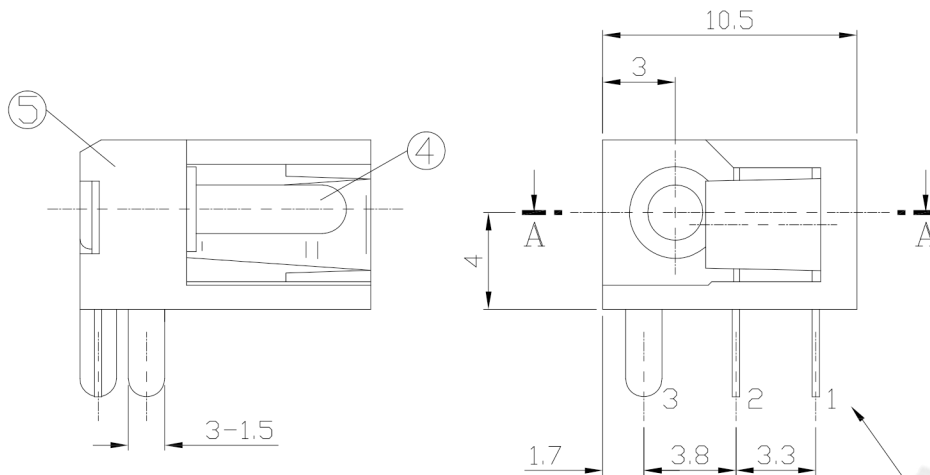




RoHS Compliant  
2002/95/EC

REV.	ECN.	NO.	APPD.

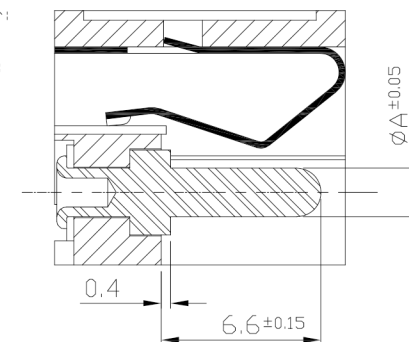
DIMENSIONS



MODEL CODE:

DCD0-87000- A □ PB BK S 0 4

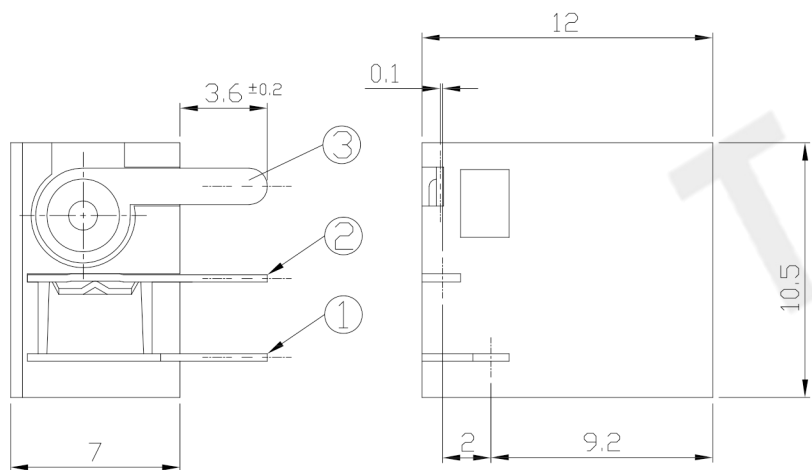
- (1) (2) (3)(4) (5) (6) (7)(8) (9)
- (1):Series type:DC POWER JACK.
- (2):Series No.
- (3):Schematic option: A
- (4):Center pin diameter:  
H=∅2.0mm, J=∅2.5mm
- (5):Material of housing:  
PB=PBT
- (6):Housing color:  
BK=Black
- (7):Terminal plating:  
S=Silver(Ag)
- (8):Special option:  
0=No special option
- (9):Packing mode:  
4=Bag packing



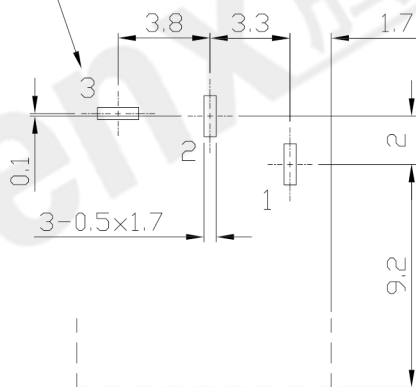
SECTION AA

Specification:

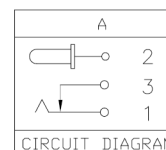
- 1.Rating : DC 24V 4A.
- 2.Contact resistance : ≤30mΩ
- 3.Insulation resistance : ≥100MΩ (500V DC).
- 4.Withstanding voltage : 500VAC.
- 5.Insertion and extraction force : 0.3~3Kgs.
- 6.Life test : 5,000 cycles min.
- 7.Operation temperature range:-25°C ~70°C



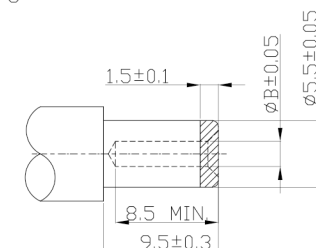
TERMINAL NO.



PC BOARD HOLE LAYOUT (TOLS: ±0.1)  
(VIEW FROM INSERTION TO PCB)



Model No.	H	J
CENTER PIN(A)	∅2.0mm	∅2.5mm
PLUG O.D.(B)	2.1mm	2.6mm



DC MATE PLUG

Bill of materials:

NO.	PARTS	MATERIAL	Q'TY	FINISHING	TOLERANCE	ANGLES	UNITS
⑤	CASING	PBT/GF RESIN	1	BLACK			mm
④	PIN	BRASS	1	Ni-PLATED	X≤5=±0.10		MAT'L
③	EARTH TERMINAL	BRASS	0.3t	Ag-PLATED	X> 5=±0.30		SEE NOTE
②	SHUNT TERMINAL	BRASS	0.25t	Ag-PLATED			FINISH
①	TIP SPRING	COPPER ALLOY	0.25t	Ag-PLATED			SEE NOTE
NO.	PARTS	MATERIAL	Q'TY	FINISHING	THESE DRAWINGS AND SPECIFICATIONS ARE THE PROPERTY OF ACCURATE INNO TECH INC AND SHALL NOT BE REPRODUCED, COPIED OR USED IN ANY MANNER WITHOUT THE PRIOR WRITTEN CONSENT OF ACCURATE INNO TECH INC.		

东莞市腾兴电子有限公司

TITLE:	DC POWER JACK	PART NO.:	DCD0-87000
DR:	Ricky 2019/08/27	DWG NO.:	AD0-87000
CHKD:	Ricky 2019/08/27	SCALE	1:1
APPD:		SHEET	1/1
		REV.	A
		CUSTOMER DRAWING	