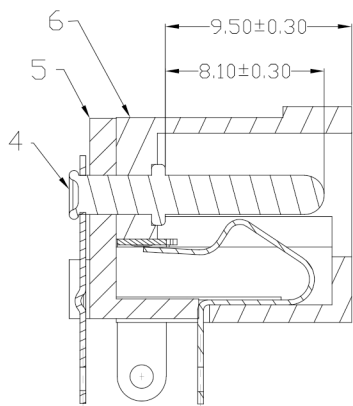
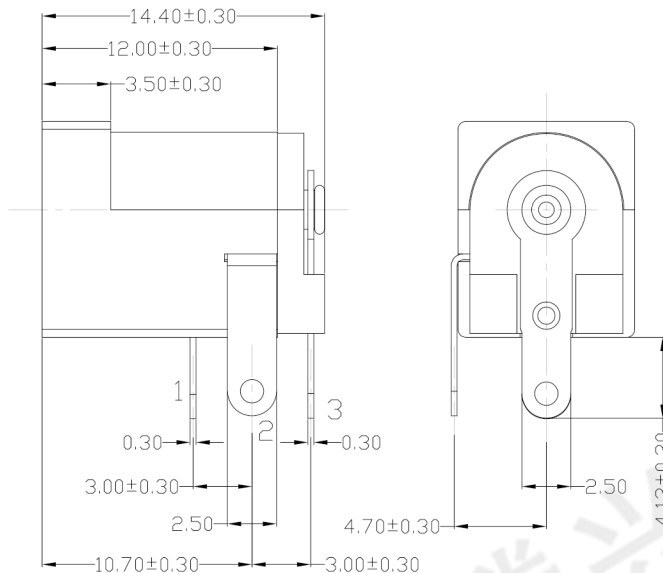
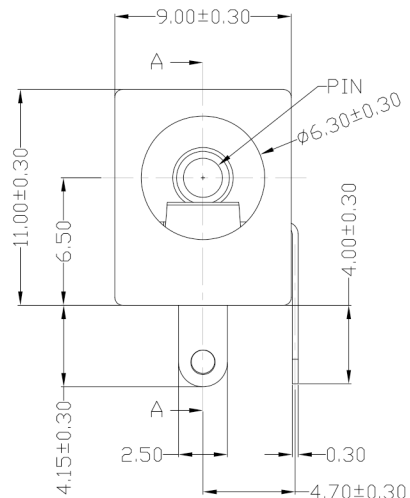


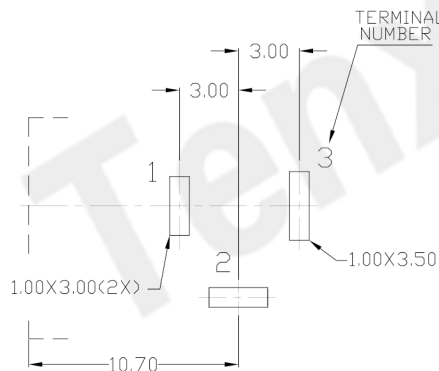


RoHS
Compliant
2002/95/EC

DIMENSIONS



A-A' SECTION



RECOMMENDED PCB LAYOUT
(TOP VIEW)

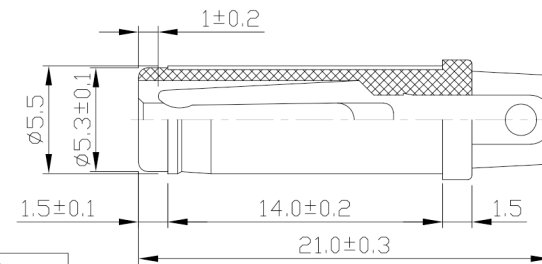
MODEL CODE:

DCS0-0203B- A □ PB BK T 0 4

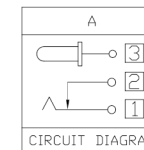
- (1): Series type: DIP DC POWER JACK.
- (2): Series No.
- (3): Schematic option: A
- (4): Center pin diameter:
G=φ1.65, H=φ2.0, J=φ2.5
- (5): Material of housing:
PB=PBT
- (6): Housing color:
BK=Black
- (7): Terminal plating
T=Tin(Sn)
- (8): Special option:
0=No special option
- (9): Packing mode:
4=Bag packing

Specification:

- 1. Rating : DC 30V 3A.
- 2. Contact resistance : ≤100mΩ
- 3. Insulation resistance : ≥100MΩ (DC250V).
- 4. Withstanding voltage : 500VAC .
- 5. Insertion and extraction force : 3~30N.
- 6. life test : 5000cycles min.
- 7. Operation temperature range : -25°C ~85°C



DC MATE PLUG



Model No.	G	H	J
CENTER PIN	φ1.65	φ2.0	φ2.5

Bill of materials:

UNLESS OTHERWISE SPECIFIED,
DIMENSIONS TOLERANCE ON DECIMALS ±0.2

NO.	PARTS	MATERIAL	Q'TY	FINISHING	TOLERANCE	ANGLES	UNITS
6	HOUSING	PA9T	1	BLACK	.X ± 0.3	X°, ±5°	mm
5	COVER	PA9T	1	BLACK	.XX ± 0.2	.X° ± 3°	MAT'L
4	CONTACT PIN	BRASS	1	Ni 50u"			SEE NOTE
3	PIN TERMINAL	BRASS	1	Tin 100u";Ni 50u"			FINISH
2	SPRING SHUNT	BRASS	1	Tin 100u";Ni 50u"			SEE NOTE
1	SPRING PIECE	BRONZE	1	Tin 100u";Ni 50u"			Q'TY

THESE DRAWINGS AND SPECIFICATIONS ARE THE PROPERTY OF ACCURATE INNO TECH INC AND SHALL NOT BE REPRODUCED, COPIED OR USED IN ANY MANNER WITHOUT THE PRIOR WRITTEN CONSENT OF ACCURATE INNO TECH INC.

UNITS	mm
MAT'L	SEE NOTE
FINISH	SEE NOTE
Q'TY	

东莞市腾兴电子有限公司

TITLE:	DIP DC POWER JACK	PART NO.:	DCS0-0203B
DR:	Ricky 2019/03/21	DWG NO.:	ASS-0203B
CHKD:	Ricky 2019/03/21	SCALE	1:1
APPD:		SHEET	1/1
		REV.	A
		CUSTOMER DRAWING	