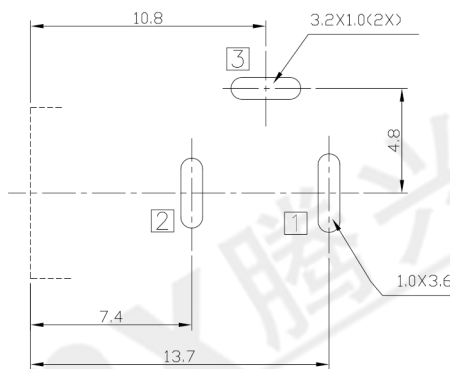
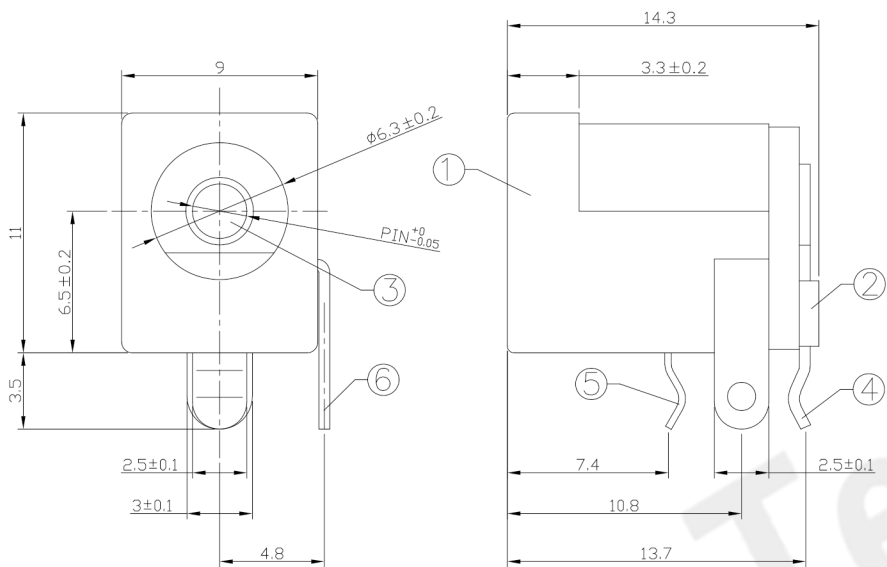




RoHS
Compliant
2002/95/EC

REV.	ECN.	NO.	APPD.

DIMENSIONS



RECOMMENDED PCB LAYOUT
TOLERANCE:±0.05mm
(BOTTOM VIEW)

MODEL CODE:

DCB0-0005D- A □ PB BK I 0 4

(1) (2) (3)(4) (5) (6) (7)(8) (9)

(1):Series type:DIP DC POWER JACK.

(2):Series No.

(3):Schematic option: A , B

(4):Center pin diameter:

H=φ2.0 , I=φ2.35 , J=φ2.5

(5):Material of housing:

PB=PBT (Standard)

(6):Housing color:

BK=Black

5I=Green(0274),5P=Green(0116)

6B=Blue(0037),8A=Gray(0292)

8G=gray(0228),9A=White(0100)

(7):Terminal plating
S=Silver(Ag),T=Tin(Sn)

(8):Special option:
0=No special option

(9):Packing mode:
4=Bag packing

Specification:

1.Rating : DC 20V/2.5A.

2.Contact resistance: ≤30mΩ

After test:≤50mΩ

3.Insulation resistance: ≥100MΩ (500VDC).

After test:≥50MΩ

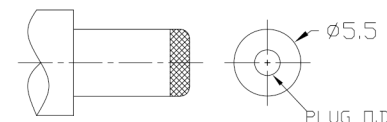
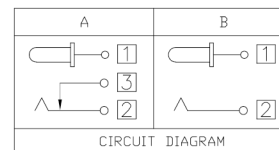
4.Withstanding voltage: 500VAC.

5.Insertion and extraction force: 3N-30N.

6.Life test: 5000 cycles min.

7.Operation temperature range:-20℃~70℃.

8.Preservative temperature range:-40℃~85℃.



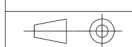
DC MATE PLUG

Model No.	H	I	J
CENTER PIN	φ2.0	φ2.35	φ2.5
PLUG O.D.	φ2.05 ^{+0.10} _{-0.00}	φ2.40 ^{+0.10} _{-0.00}	φ2.55 ^{+0.10} _{-0.00}

○: ITEM NO. □: TERMINAL NO.

NO.	PARTS	MATERIAL	Q'TY	FINISHING	TOLERANCE	ANGLES	UNITS
⑥	Shunt terminal ③	Brass t=0.5mm	1	Silver/Tin plating	±0.3	±2°	mm
⑤	Tip spring ②	Phosphor bronze t=0.3mm	1	Silver/Tin plating			MAT'L
④	Center pin terminal ①	Brass t=0.5mm	1	Silver/Tin plating			SEE NOTE
③	Center pin ①	Brass	1	CuSn/Nickel plating			FINISH
②	Cover	PBT UL94V-0	1	Black			SEE NOTE
①	Housing	PBT UL94V-0	1				Q'TY

THESE DRAWINGS AND SPECIFICATIONS ARE THE PROPERTY OF ACCURATE INNOTECH INC AND SHALL NOT BE REPRODUCED, COPIED OR USED IN ANY MANNER WITHOUT THE PRIOR WRITTEN CONSENT OF ACCURATE INNOTECH INC.



东莞市腾兴电子有限公司

TITLE: DIP DC POWER JACK	PART NO.: DCB0-0005D
DR: Ricky 2019/03/06	DWG NO.: AB0-0005D
CHKD: Ricky 2019/03/06	SCALE SHEET REV. CUSTOMER 1:1 1/1 A DRAWING
APPD:	