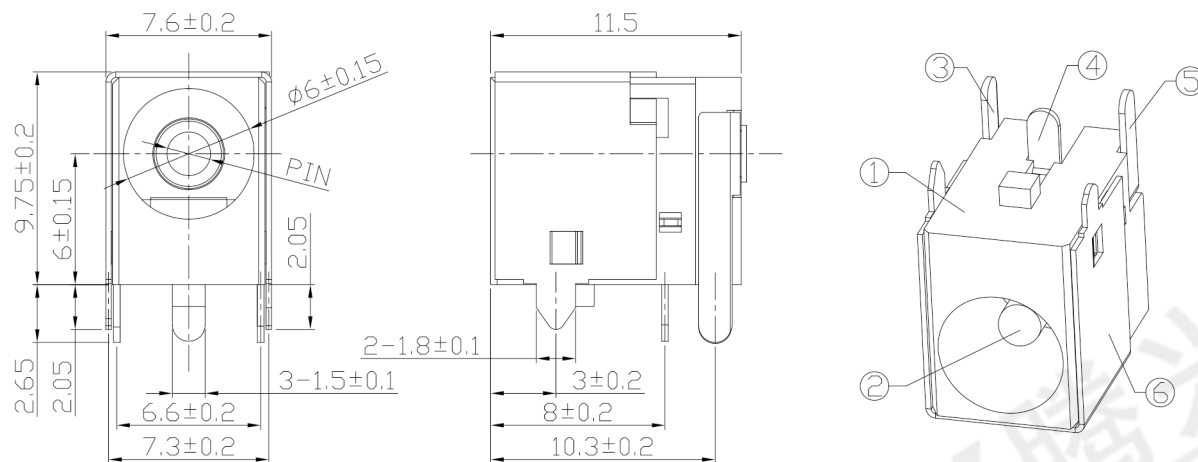




RoHS  
Compliant  
2002/95/EC

REV.	ECN.	NO.	APPD.

### DIMENSIONS



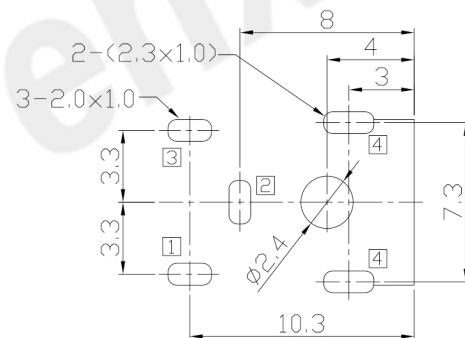
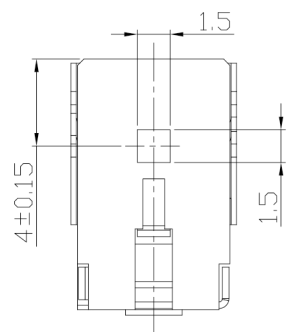
### MODEL CODE:

DCB0-0036B- A □ PB BK S 0 4

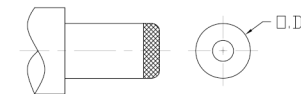
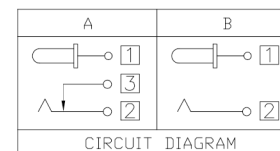
- (1) (2) (3)(4) (5) (6) (7)(8) (9)
- (1):Series type:DIP DC POWER JACK.  
 (2):Series No.  
 (3):Schematic option: A , B  
 (4):Center pin diameter:  
 G=φ1.65 , H=φ2.0 , I=φ2.35 , J=φ2.5  
 (5):Material of housing:  
 PB=PBT (Standard)  
 (6):Housing color:  
 BK=Black  
 (7):Terminal plating  
 S=Silver(Ag)  
 (8):Special option:  
 0=No special option  
 (9):Packing mode:  
 4=Bag packing

### SPECIFICATION:

- Rating : DC 20V 3A;
- Contact resistance:  $\leq 30m\Omega$ ;
- Insulation resistance:  $\geq 100M\Omega$  (DC250V);
- Withstand voltage: 500VAC ;
- Insertion and extraction force: 3-30N;
- life test: 5,000 cycles;
- Operation temperature range:-20°C~70°C;
- Preservative temperature range:-40°C~85°C;



PCB HOLES(BOTTOM VIEW) t=1.6mm  
NOTE:GENERAL TOLERANCE:±0.05mm



DC MATE PLUG

Model No.	G	H	I	J
CENTER PIN	φ1.65	φ2.0	φ2.35	φ2.5
DC MATE PLUG	φ4.0	φ5.5	φ5.5	φ5.5

○: ITEM NO. □: TERMINAL NO.

NO.	PARTS	MATERIAL	Q'TY	FINISHING	TOLERANCE	ANGLES	UNITS
⑥	Shield plate	Brass t=0.25	1	Nickel(Ni) Plating	±0.3	±2°	mm
⑤	Shunt terminal	Brass t=0.3	1	Silver(Ag) Plating			MAT'L
④	Tip spring	SUS301 t=0.3	1	Silver(Ag) Plating			SEE NOTE
③	Center pin terminal	Brass t=0.3	1	Silver(Ag) Plating			FINISH
②	Center pin	Brass	1	Nickel(Ni) Plating			SEE NOTE
①	Housing	PBT UL94V-0	1				Q'TY

THESE DRAWINGS AND SPECIFICATIONS ARE THE PROPERTY OF ACCURATE INNO TECH INC AND SHALL NOT BE REPRODUCED, COPIED OR USED IN ANY MANNER WITHOUT THE PRIOR WRITTEN CONSENT OF ACCURATE INNO TECH INC.



### 东莞市腾兴电子有限公司

TITLE:	DIP DC POWER JACK	PART NO.:	DCB0-0036B
DR:	Ricky 2019/04/12	DWG NO.:	AB0-0036B
CHKD:	Ricky 2019/04/12	SCALE	SHEET
APPD:		1:1	1/1
		REV.	A
		CUSTOMER DRAWING	