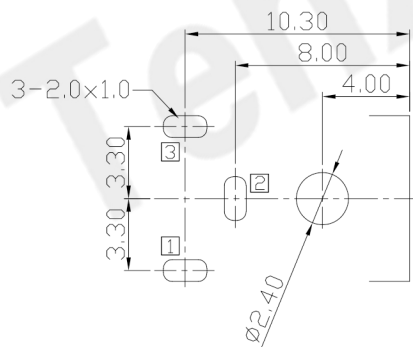
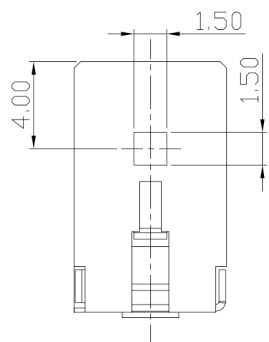
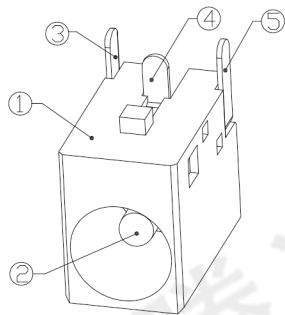
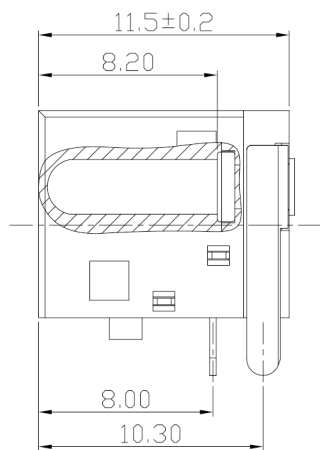
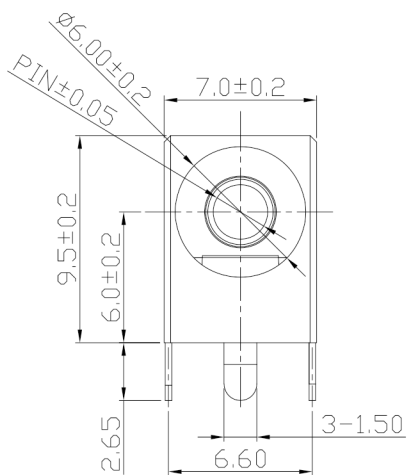




RoHS  
Compliant  
2002/95/EC

### DIMENSIONS



RECOMMENDED P.C.B. LAYOUT  
UNSPECIFIED TOLERANCE:±0.05  
(TOP VIEW)

○: ITEM NO. □: TERMINAL NO.

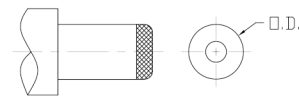
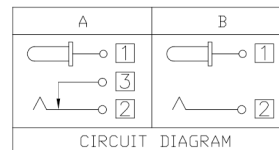
### MODEL CODE:

DCB0-00360- A □ PB BK S 0 4

- (1):Series type:DIP DC POWER JACK.
- (2):Series No.
- (3):Schematic option: A , B
- (4):Center pin diameter:  
G=Ø1.65 , H=Ø2.0 , I=Ø2.35 , J=Ø2.5
- (5):Material of housing:  
PB=PBT (Standard)
- (6):Housing color:  
BK=Black  
8A=Gray(0144)  
4K=Yellow(XH1221)=PBT4815
- (7):Terminal plating  
S=Silver(Ag)
- (8):Special option:  
0=No special opion
- (9):Packing mode:  
4=Bag packing

### SPECIFICATION:

- 1.Rating : DC 20V 3A;
- 2.Contact resistance: ≤50mΩ;  
After test:≤100mΩ
- 3.Insulation resistance: ≥100MΩ (DC500V);  
After test:≥50MΩ
- 4.Withstand voltage: 500VAC ;
- 5.Insertion and extraction force: 3-30N;
- 6.life test: 5,000 cycles;
- 7.Operation temperature range:-20°C~70°C;
- 8.Preservative temperature range:-40°C~85°C;



DC MATE PLUG

Model No.	G	H	I	J
CENTER PIN	Ø1.65	Ø2.0	Ø2.35	Ø2.5
DC MATE PLUG	Ø4.75	Ø5.5	Ø5.5	Ø5.5

NO.	PARTS	MATERIAL	Q'TY	FINISHING	TOLERANCE	ANGLES	UNITS	mm	东莞市腾兴电子有限公司			
⑤	Shunt terminal ③	Brass	1	Ag Plating	.X ±0.50	X ±5'	MAT'L		TITLE: DIP DC POWER JACK PART NO.: DCB0-00360 DR: Ricky 2019/04/12 DWG NO.: AB0-00360 CHKD: Ricky 2019/04/12 SCALE: 1:1 SHEET: 1/1 REV: A CUSTOMER DRAWING			
④	Tip spring ②	SUS301-1/2H	1	Ag Plating	.XX ±0.30	.X ±3'	SEE NOTE					
③	Center pin terminal ①	Brass	1	Ag Plating	.XXX ±0.15	.XX ±2'	FINISH					
②	Center pin	H65	1	Ni plating			SEE NOTE					
①	Housing	PBT4815 UL94V-0	1	See P/N ordering info			Q'TY					
					THESE DRAWINGS AND SPECIFICATIONS ARE THE PROPERTY OF ACCURATE INNOTECH INC AND SHALL NOT BE REPRODUCED, COPIED OR USED IN ANY MANNER WITHOUT THE PRIOR WRITTEN CONSENT OF ACCURATE INNOTECH INC.							