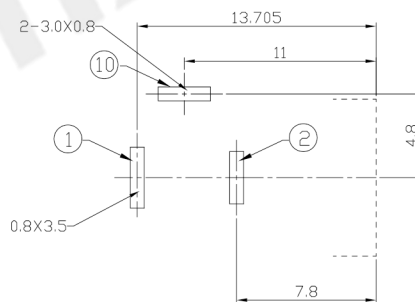
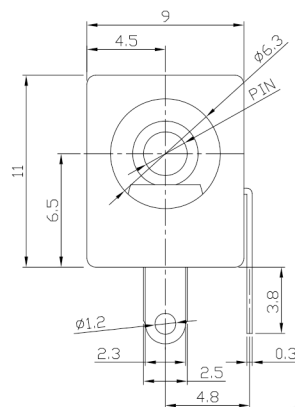
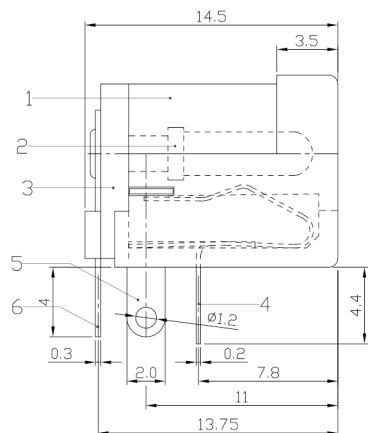




**RoHS Compliant**  
2002/95/EC

REV.	ECN. NO.	APPD.

### DIMENSIONS



P.C.B LAYOUT

### MODEL CODE:

DCE0-02102- A □ 66 BK S 0 4

(1) (2) (3)<4> (5) (6) (7)<8> (9)

(1):Series type:DIP DC POWER JACK.

(2):Series No.

(3):Schematic option: A

(4):Center pin diameter:

H=φ2.0, I=φ2.35, J=φ2.5

(5):Material of housing:

66=PA66

(6):Housing color:

BK=Black

(7):Terminal plating

S=Silver(Ag)

(8):Special option:

0=No special option

(9):Packing mode:

4=Bag packing

### Specification:

1.Rating :DC 30V 0.3A.

2.Contact resistance :≤100mΩ

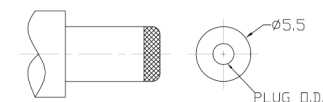
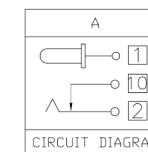
3.Insulation resistance :≥100MΩ (500VDC).

4.Withstanding voltage: 500VAC .

5.Insertion and extraction force: 0.3~3Kgs.

6.life test: 5000cycles min.

7.Operation temperature range:-25°C~85°C



DC MATE PLUG

Model No.	H	I	J
CENTER PIN	φ2.0	φ2.35	φ2.5
PLUG O.D.	2.05 <sup>+0.10</sup> <sub>-0.00</sub>	2.40 <sup>+0.10</sup> <sub>-0.00</sub>	2.55 <sup>+0.10</sup> <sub>-0.00</sub>

### Bill of materials:

NO.	PARTS	MATERIAL	Q'TY	FINISHING
6	TERMINAL	BRASS STRIP	1	Ag PLATED
5	TERMINAL	BRASS STRIP	1	Ag PLATED
4	SPRING TERMINAL	SUS	1	Ag PLATED
3	COVER	PA6T/NYLON+F.G	1	BLACK
2	PLUG PIN	BRASS	1	Ni PLATED
1	CASE	PA6T/NYLON+F.G	1	BLACK

GENERAL TOLERANCE	UNITS	mm
WITHIN 1.5mm±0.1mm	MAT'L	SEE NOTE
OVER 1.5mm±0.2mm	FINISH	SEE NOTE
THESE DRAWINGS AND SPECIFICATIONS ARE THE PROPERTY OF ACCURATE INNO TECH INC AND SHALL NOT BE REPRODUCED, COPIED OR USED IN ANY MANNER WITHOUT THE PRIOR WRITTEN CONSENT OF ACCURATE INNO TECH INC.	Q'TY	SEE NOTE

UNITS	mm
SEE NOTE	SEE NOTE
SEE NOTE	SEE NOTE
SEE NOTE	SEE NOTE

东莞市腾兴电子有限公司			
TITLE:	DIP DC POWER JACK	PART NO.:	DCE0-02102
DR:	Ricky 2019/03/18	DWG NO.:	AZJ-02102
CHKD:	Ricky 2019/03/18	SCALE	1:1
APPD:		SHEET	1/1
		REV.	A
		CUSTOMER DRAWING	