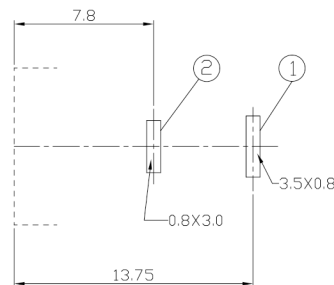
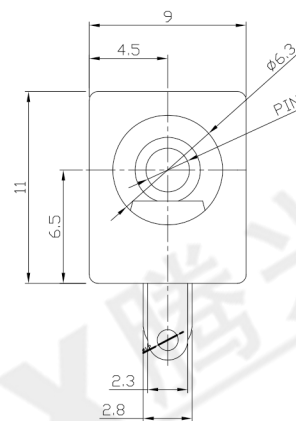
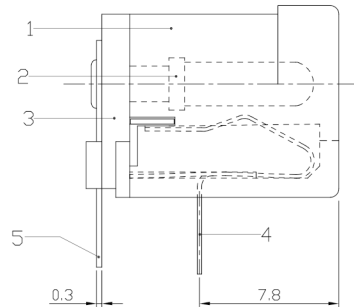
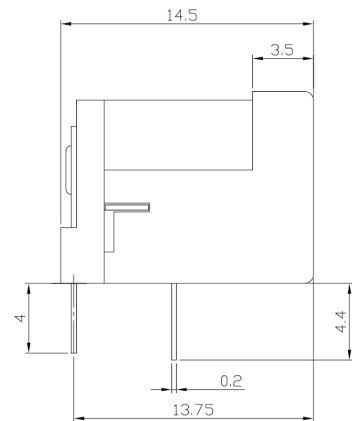




RoHS Compliant
2002/95/EC

REV.	ECN.	NO.	APPD.

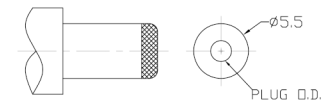
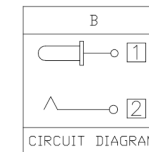
DIMENSIONS



P.C.B LAYOUT

MODEL CODE:
DCE0-02110- B □ 66 BK S 0 4
 (1) (2) (3)(4) (5) (6) (7)(8) (9)
 (1):Series type:DIP DC POWER JACK.
 (2):Series No.
 (3):Schematic option: B
 (4):Center pin diameter:
 H= $\phi 2.0$, I= $\phi 2.35$, J= $\phi 2.5$
 (5):Material of housing:
 66=PA66
 (6):Housing color:
 BK=Black
 (7):Terminal plating
 S=Silver(Ag)
 (8):Special option:
 0=No special option
 (9):Packing mode:
 4=Bag packing

Specification:
 1.Rating :DC 30V 0.3A.
 2.Contact resistance : $\leq 100m\Omega$
 3.Insulation resistance : $\geq 100M\Omega$ (500VDC).
 4.Withstanding voltage: 500VAC .
 5.Insertion and extraction force: 0.3~3Kgs.
 6.life test: 5000cycles min.
 7.Operation temperature range:-25°C~85°C



DC MATE PLUG

Model No.	H	I	J
CENTER PIN	$\phi 2.0$	$\phi 2.35$	$\phi 2.5$
PLUG O.D.	$2.05^{+0.10}_{-0.00}$	$2.40^{+0.10}_{-0.00}$	$2.55^{+0.10}_{-0.00}$

Bill of materials:

NO.	PARTS	MATERIAL	Q'TY	FINISHING
5	TERMINAL	BRASS STRIP	1	Ag PLATED
4	SPRING TERMINAL	SUS	1	Ag PLATED
3	COVER	NYLON	1	BLACK
2	PLUG PIN	BRASS	1	Ni PLATED
1	CASE	NYLON	1	BLACK

GENERAL TOLERANCE	UNITS mm
WITHIN 1.5mm±0.1mm	MAT'L
OVER 1.5mm±0.2mm	SEE NOTE
THESE DRAWINGS AND SPECIFICATIONS ARE THE PROPERTY OF ACCURATE INNOVATECH INC AND SHALL NOT BE REPRODUCED, COPIED OR USED IN ANY MANNER WITHOUT THE PRIOR WRITTEN CONSENT OF ACCURATE INNOVATECH INC.	FINISH
	SEE NOTE
	Q'TY

东莞市腾兴电子有限公司			
TITLE: DIP DC POWER JACK		PART NO.: DCE0-02110	
DR: Ricky 2019/03/19		DWG NO.: AZJ-02110	
CHKD: Ricky 2019/03/19		SCALE	SHEET
APPD:		1:1	1/1
		REV. A	CUSTOMER DRAWING