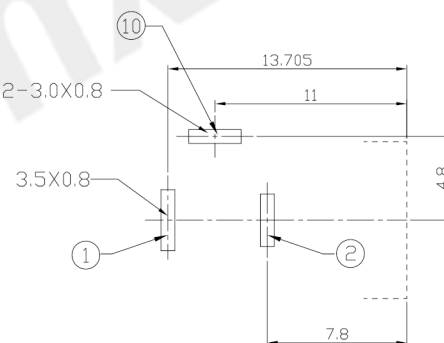
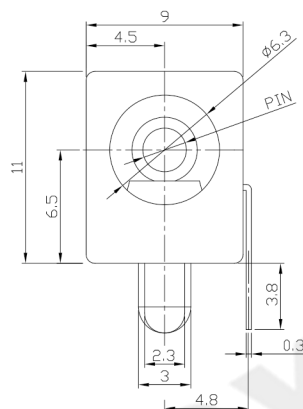
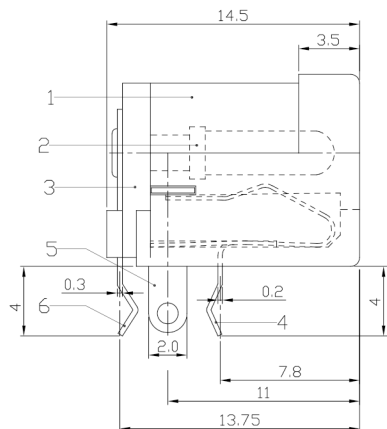




RoHS
Compliant
2002/95/EC

REV.	ECN.	NO.	APPD.

DIMENSIONS



P.C.B LAYOUT

MODEL CODE:

DCE0-02410- A □ 66 BK S 0 4

(1) (2) (3)(4) (5) (6) (7)(8) (9)

(1):Series type:DIP DC POWER JACK.

(2):Series No.

(3):Schematic option: A

(4):Center pin diameter:

H=φ2.0 , I=φ2.35 , J=φ2.5

(5):Material of housing:

66=PA66

(6):Housing color:

BK=Black

(7):Terminal plating

S=Silver(Ag)

(8):Special option:

0=No special option

(9):Packing mode:

4=Bag packing

Specification:

1.Rating :DC 30V 0.3A.

2.Contact resistance :≤100mΩ

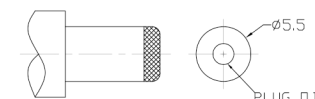
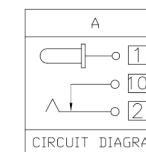
3.Insulation resistance : ≥100MΩ (500VDC).

4.Withstanding voltage: 500VAC .

5.Insertion and extraction force: 0.3~3Kgs.

6.life test: 5000cycles min.

7.Operation temperature range:-25°C~85°C



DC MATE PLUG

Model No.	H	I	J
CENTER PIN	φ2.0	φ2.35	φ2.5
PLUG O.D.	2.05 ^{+0.10} _{-0.00}	2.40 ^{+0.10} _{-0.00}	2.55 ^{+0.10} _{-0.00}

Bill of materials:

NO.	PARTS	MATERIAL	Q'TY	FINISHING
6	TERMINAL	BRASS STRIP	1	Ag PLATED
5	TERMINAL	BRASS STRIP	1	Ag PLATED
4	SPRING TERMINAL	SUS	1	Ag PLATED
3	COVER	PA66	1	BLACK
2	PLUG PIN	BRASS	1	Ni PLATED
1	CASE	PA66	1	BLACK

GENERAL TOLERANCE	UNITS	mm
WITHIN 1.5mm±0.1mm	MAT'L	SEE NOTE
OVER 1.5mm±0.2mm	FINISH	SEE NOTE
THESE DRAWINGS AND SPECIFICATIONS ARE THE PROPERTY OF ACCURATE INNO TECH INC AND SHALL NOT BE REPRODUCED, COPIED OR USED IN ANY MANNER WITHOUT THE PRIOR WRITTEN CONSENT OF ACCURATE INNO TECH INC.	Q'TY	

UNITS	mm
MAT'L	SEE NOTE
FINISH	SEE NOTE
Q'TY	

东莞市腾兴电子有限公司			
TITLE: DIP DC POWER JACK		PART NO.: DCE0-02410	
DR: Ricky 2019/03/19		DWG NO.: AZJ-02410	
CHKD: Ricky 2019/03/19		SCALE	SHEET
APPD:		1:1	1/1
		REV. A	CUSTOMER DRAWING