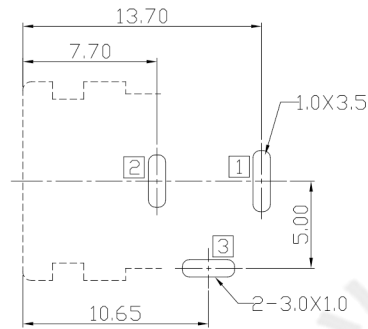
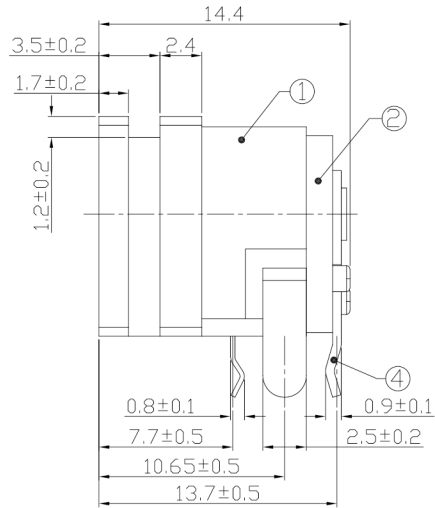
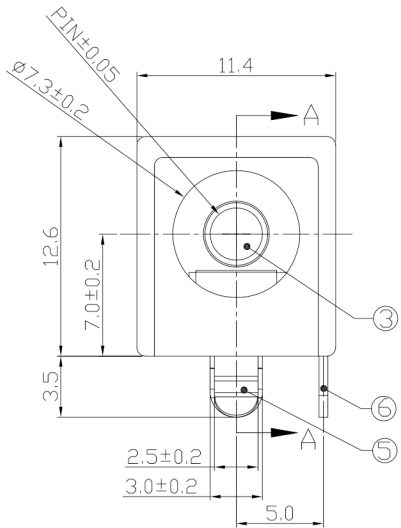


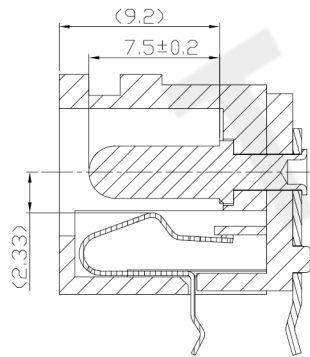
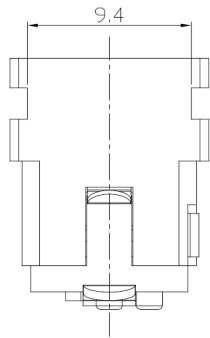


RoHS Compliant
2002/95/EC

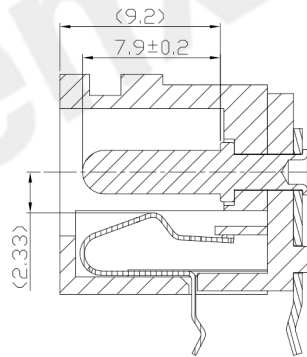
DIMENSIONS



RECOMMENDED P.C.B. LAYOUT
UNSPECIFIED TOLERANCE:±0.05
(TOP VIEW)



SECTION A-A
(插针规格: $\phi 3.0$)



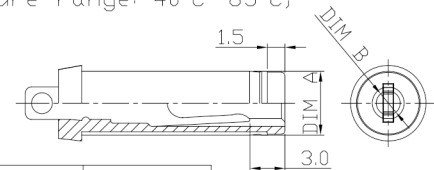
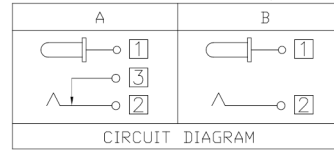
SECTION A-A
(插针规格: $\phi 2.0$ & $\phi 2.5$)

MODEL CODE:

- DCB0-00620- A □ PB BK T 0 4
(1) (2) (3)(4) (5) (6) (7)(8) (9)
(1):Series type:DIP DC POWER JACK.
(2):Series No.
(3):Schematic option: A , B
(4):Center pin diameter:
H= $\phi 2.0$, J= $\phi 2.5$, K= $\phi 3.0$
(5):Material of housing:
PB=PBT
(6):Housing color:
BK=Black
(7):Terminal plating
T=Tin(Sn)
S=Silver(Ag)
(8):Special option:
0=Tip spring is Stainless steel material
P=Tip spring is phosphor bronze material
H=Cover and housing are black Halogen Free,
Tip spring is stainless steel material.
(9):Packing mode:
4=Bag packing

SPECIFICATION:

- Rating : DC 20V 3A;
- Contact resistance: $\leq 50m\Omega$;
After test: $\leq 100m\Omega$
- Insulation resistance: $\geq 100M\Omega$ (DC500V);
After test: $\geq 50M\Omega$
- Withstand voltage: 500VAC ;
- Insertion and extraction force: 3-30N;
- life test: 5,000 cycles;
- Operation temperature range: $-20^{\circ}C \sim 70^{\circ}C$;
- Preservative temperature range: $-40^{\circ}C \sim 85^{\circ}C$;



Model No.	H	J	K
CENTER PIN	$\phi 2.0$	$\phi 2.5$	$\phi 3.0$
DIM A	$\phi 6.3 \pm 0.05$	$\phi 6.3 \pm 0.05$	$\phi 6.55 \pm 0.05$
DIM B	$\phi 2.05^{+0.10}_{-0.00}$	$\phi 2.55^{+0.10}_{-0.00}$	$\phi 3.05^{+0.10}_{-0.00}$

DC MATE PLUG

○: ITEM NO. □: TERMINAL NO.

NO.	PARTS	MATERIAL	Q'TY	FINISHING	
6	Shunt terminal 3	Brass	1	See P/N ordering info	
5	Tip spring 2	See P/N ordering info	1		
4	Center pin terminal 1	Brass	1		
3	Center pin	Copper Alloy	1		CuSn plating
2	Cover	Thermoplastic	1		Black
1	Housing	Thermoplastic	1	Black	

TOLERANCE	ANGLES	UNITS	mm
.X ±0.50	X ±5°	MAT'L	
.XX ±0.30	.X ±3°	SEE NOTE	
.XXX ±0.15	.XX ±2°	FINISH	
		SEE NOTE	
		Q'TY	

东莞市腾兴电子有限公司			
TITLE: DIP DC POWER JACK		PART NO.: DCB0-00620	
DR: Ricky 2019/04/30		DWG NO.: AB0-00620	
CHKD: Ricky 2019/04/30		SCALE	SHEET
APPD:		1:1	1/1
		REV. A	CUSTOMER DRAWING

THESE DRAWINGS AND SPECIFICATIONS ARE THE PROPERTY OF ACCURATE INNO TECH INC AND SHALL NOT BE REPRODUCED, COPIED OR USED IN ANY MANNER WITHOUT THE PRIOR WRITTEN CONSENT OF ACCURATE INNO TECH INC.