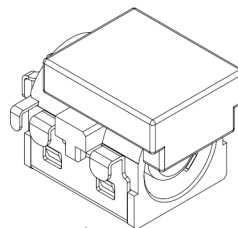
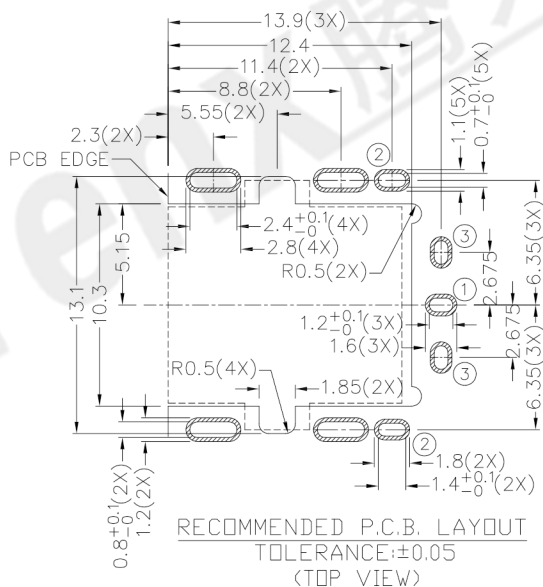
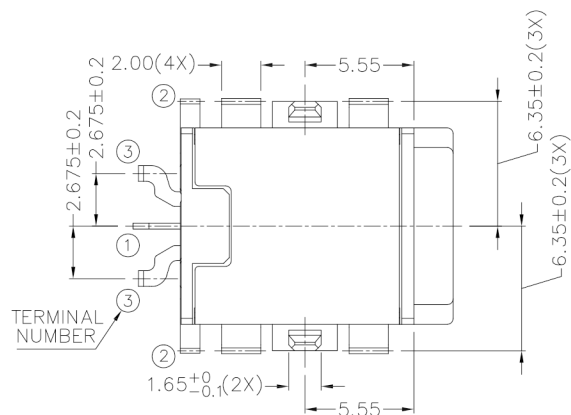
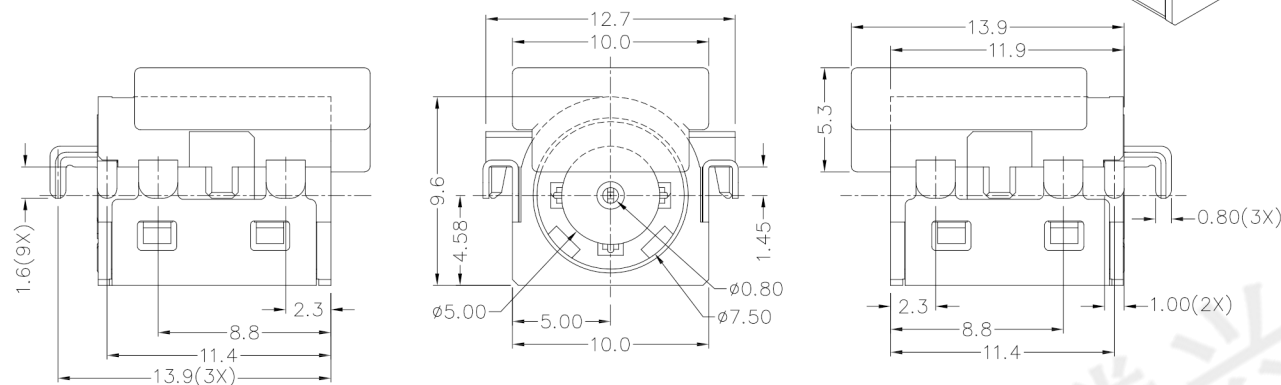




RoHS
Compliant
2002/95/EC

Halogen Free

DIMENSIONS



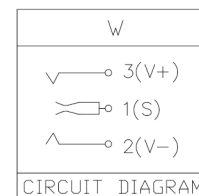
MODEL CODE:

DCT0-110DHS- W M 10 BK G 0 1

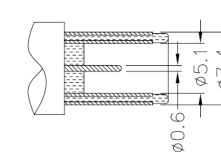
- (1):Series type:SMD DC POWER JACK.
- (2):Series No.
- (3):Schematic option: W
- (4):Center pin diameter: M=Ø0.6mm
- (5):Material of housing: 10=PA10T
- (6):Housing color: BK=Black
- (7):Terminal plating: G=Gold(Au)
- (8):Special option: 0=No special option
- (9):Packing mode: 1=Reel packing

Specification:

- 1.Rating : 10A/20V DC Max.
- 2.Contact resistance : ≤30mΩ
After test:≤60mΩ
- 3.Insulation resistance : ≥100MΩ (DC500V).
After test:≥50MΩ
- 4.Withstanding voltage : 500VAC.
- 5.Insertion and extraction force : 0.3~3Kgs.
- 6.Life test : 5,000cycles min.
- 7.Operation temperature range:-25℃~85℃.



MODEL NO.	M
CENTER PIN	Ø0.6mm



DC MATE PLUG

Bill of materials:

NO.	PARTS	MATERIAL	Q'TY	FINISHING
6	TERMINAL 1	COPPER ALLOY	1	PB/NI/GOLD/TIN PLATED
5	TERMINAL 2	COPPER ALLOY	1	PB/NI/GOLD/TIN PLATED
4	TERMINAL 3	COPPER ALLOY	1	PB/NI/GOLD/TIN PLATED
3	SHIELD	BRASS	1	NICKEL PLATED
2	HOUSING	PA10T	1	UL94V-0
1	COVER	PA10T	1	UL94V-0

TOLERANCE	ANGLES	UNITS	mm
±0.3	±2°	MAT'L	
		SEE NOTE	
		FINISH	
		SEE NOTE	
		Q'TY	

东莞市腾兴电子有限公司			
TITLE: SMD DC POWER JACK		PART NO.: DCT0-110DHS	
DR: Ricky 2018/10/11		DWG NO.: AT0-110DHS	
CHKD: Ricky 2018/10/11		SCALE	SHEET
APPD:		1:1	1/1
		REV.	CUSTOMER DRAWING
		A	

THESE DRAWINGS AND SPECIFICATIONS ARE THE PROPERTY OF ACCURATE INNOVATION INC AND SHALL NOT BE REPRODUCED, COPIED OR USED IN ANY MANNER WITHOUT THE PRIOR WRITTEN CONSENT OF ACCURATE INNOVATION INC.

