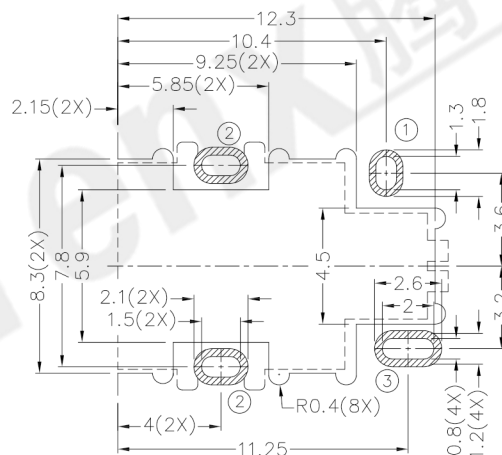
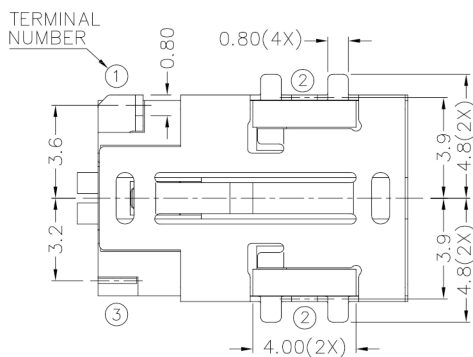
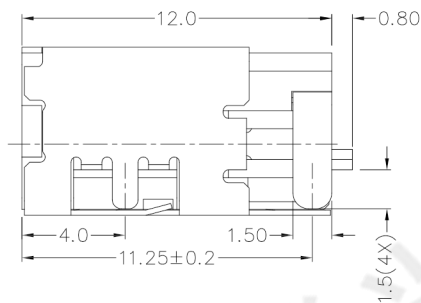
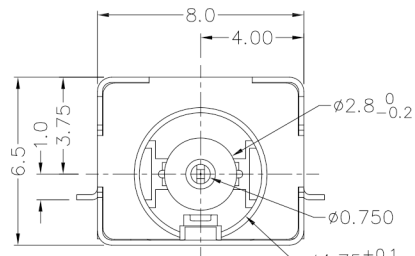
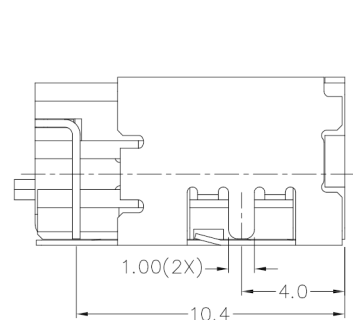
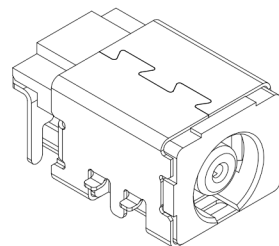




RoHS
Compliant
2002/95/EC

Halogen Free

DIMENSIONS



RECOMMENDED P.C.B. LAYOUT
TOLERANCE:±0.05
(TOP VIEW)

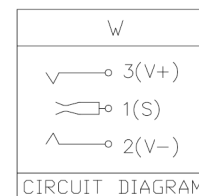
MODEL CODE:

DCT0-0112DH- W M 10 BK G 0 1

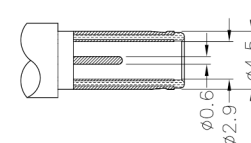
- (1):Series type:SMD DC POWER JACK.
- (2):Series No.
- (3):Schematic option: W
- (4):Center pin diameter:
M=0.6mm
- (5):Material of housing:
10=PA10T
- (6):Housing color:
BK=Black
- (7):Terminal plating:
G=Gold(Au)
- (8):Special option:
0=No special option
- (9):Packing mode:
1=Reel packing

Specification:

- 1.Rating : 6.5A/20V DC Max.
- 2.Contact resistance : ≤30mΩ
After test:≤60mΩ
- 3.Insulation resistance : ≥100MΩ (DC500V).
After test:≥50MΩ
- 4.Withstanding voltage : 500VAC.
- 5.Insertion and extraction force : 0.3~3Kgs.
- 6.Life test : 5,000cycles min.
- 7.Operation temperature range:-25℃~85℃.



MODEL NO.	M
CENTER PIN	0.6mm

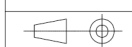


DC MATE PLUG

Bill of materials:

NO.	PARTS	MATERIAL	Q'TY	FINISHING	TOLERANCE	ANGLES	UNITS	mm
4	TERMINAL 1	COPPER ALLOY	1	GOLD PLATED	±0.3	±2°	MAT'L	
3	TERMINAL 2	COPPER ALLOY	1	GOLD PLATED			SEE NOTE	
2	TERMINAL 3	COPPER ALLOY	1	GOLD PLATED			FINISH	
1	HOUSING	PA10T	1	UL94V-0			SEE NOTE	
							Q'TY	

THESE DRAWINGS AND SPECIFICATIONS ARE THE PROPERTY OF ACCURATE INNOVATECH INC AND SHALL NOT BE REPRODUCED, COPIED OR USED IN ANY MANNER WITHOUT THE PRIOR WRITTEN CONSENT OF ACCURATE INNOVATECH INC.



东莞市腾兴电子有限公司

TITLE: SMD DC POWER JACK		PART NO.: DCT0-0112DH	
DR: Ricky 2018/10/12		DWG NO.: AT0-0112DH	
CHKD: Ricky 2018/10/12		SCALE	SHEET
APPD:		1:1	1/1
		REV.	CUSTOMER DRAWING
		A	