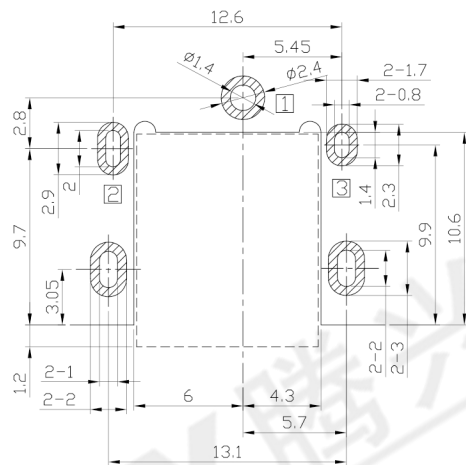
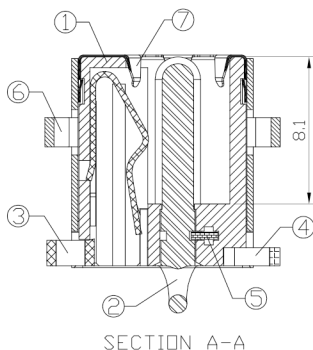
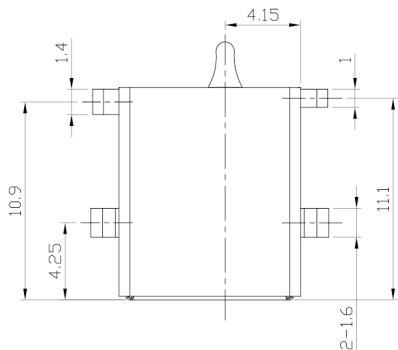
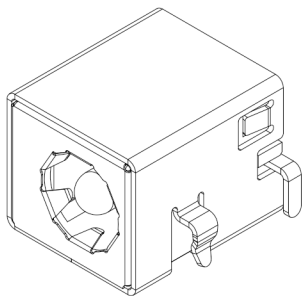


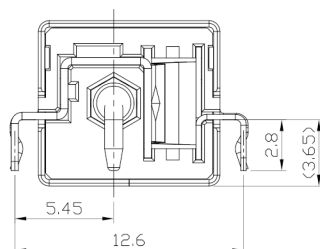
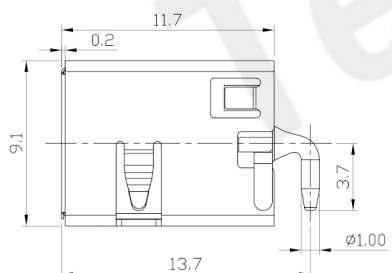
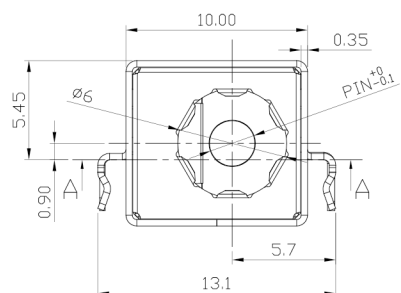


RoHS  
Compliant  
2002/95/EC

### DIMENSIONS



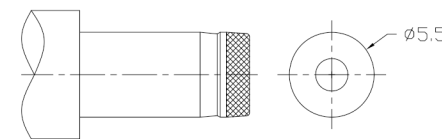
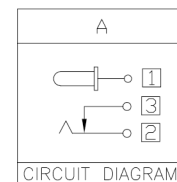
RECOMMENDED P.C.B.LAYOUT  
UNSPECIFIED TOLERANCE: ±0.05  
(COPPER-SIDED VIEW)



MODEL CODE:  
DCB0-0116A- A □ 9T BK S 0 1  
(1) (2) (3)(4) (5) (6)(7)(8) (9)  
(1):Series type:SMD DC POWER JACK.  
(2):Series No.  
(3):Schematic option: A  
(4):Center pin diameter:  
G=Ø1.65, H=Ø2.0, J=Ø2.5  
(5):Material of housing:  
9T=PA9T(Standard),10=PA10T  
(6):Housing color:  
BK=Black  
(7):Terminal plating:  
S=Silver(Ag)  
(8):Special option:  
0=No special option  
H=Housing is Halogen Free.  
W=White Reel  
L=Blue Reel  
(9):Packing mode:  
1=Reel packing

### SPECIFICATION

- Rating : DC 20V 7A;
- Contact resistance: ≤30mΩ, After life test:≤50mΩ;
- Insulation resistance: ≥100MΩ (DC500V), After life test:≥50MΩ;
- Withstand voltage: 500VAC ;
- Insertion and extraction force: 3-30N;
- life test: 5,000 cycles;
- Operation temperature range:-20°C~70°C;
- Preservative temperature range:-40°C~85°C;



|            |       |      |      |
|------------|-------|------|------|
| Model No.  | G     | H    | J    |
| CENTER PIN | Ø1.65 | Ø2.0 | Ø2.5 |

### DC MATE PLUG

○: ITEM NO. □: TERMINAL NO.

| NO. | PARTS            | MATERIAL              | Q'TY | FINISHING      |
|-----|------------------|-----------------------|------|----------------|
| ⑦   | Ground terminal  | Stainless steel, t0.1 | 1    |                |
| ⑥   | Shield           | Brass, t0.35          | 1    | Nickel plating |
| ⑤   | Terminal         | Brass, t0.4           | 1    |                |
| ④   | Shunt terminal ③ | Brass, t0.4           | 1    | Silver plating |
| ③   | Tip spring ②     | Phosphor bronze, t0.3 | 1    | Silver plating |
| ②   | Center pin ①     | Zinc alloy            | 1    | Nickel plating |
| ①   | Housing          | PA9T,PA10T UL94V-0    | 1    | Black          |

THESE DRAWINGS AND SPECIFICATIONS ARE THE PROPERTY OF ACCURATE INNOTECH INC AND SHALL NOT BE REPRODUCED, COPIED OR USED IN ANY MANNER WITHOUT THE PRIOR WRITTEN CONSENT OF ACCURATE INNOTECH INC.

|           |        |        |          |
|-----------|--------|--------|----------|
| TOLERANCE | ANGLES | UNITS  | mm       |
| ±0.3      | ±2°    | MAT'L  | SEE NOTE |
|           |        | FINISH | SEE NOTE |
|           |        | Q'TY   |          |

### 东莞市腾兴电子有限公司

|        |                   |                  |            |
|--------|-------------------|------------------|------------|
| TITLE: | SMD DC POWER JACK | PART NO.:        | DCB0-0116A |
| DR:    | Ricky 2018/06/27  | DWG NO.:         | AB0-0116A  |
| CHKD:  | Ricky 2018/06/27  | SCALE            | SHEET      |
| APPD:  |                   | 1:1              | 1/1        |
|        |                   | REV.             | A          |
|        |                   | CUSTOMER DRAWING |            |