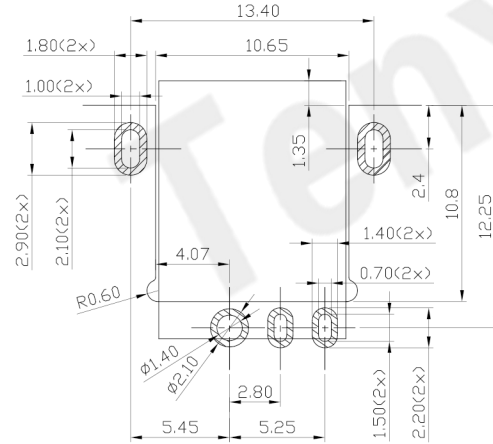
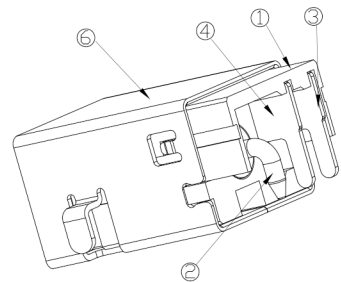
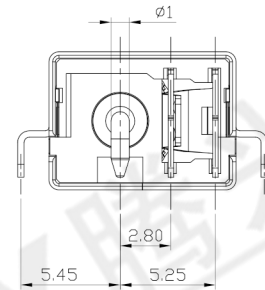
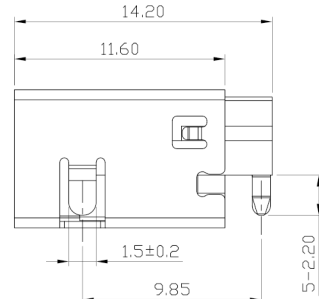
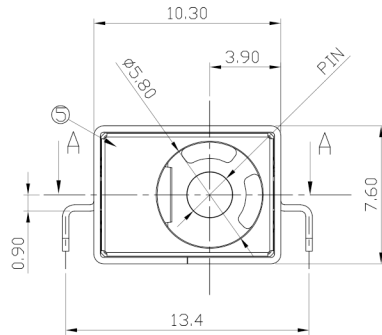
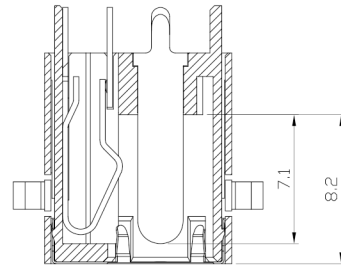
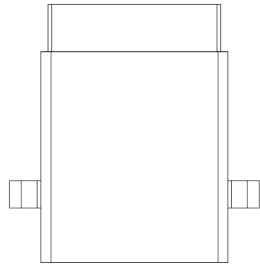




RoHS
Compliant
2002/95/EC

DIMENSIONS



RECOMMENDED P.C.B. LAYOUT
UNSPECIFIED TOLERANCE:±0.05
(TOP VIEW)

MODEL CODE:

DCB0-01680- A □ LC BK A 1 1

(1) (2) (3)(4) (5) (6)(7)(8) (9)

(1):Series type:SMD DC POWER JACK.

(2):Series No.

(3):Schematic option: A

(4):Center pin diameter:

H=∅2.0, J=∅2.5

(5):Material of housing:

LC=LCP(Standard)

(6):Housing color:

BK=Black

(7):Terminal plating:

S=Silver(Ag 8u")

A=Silver(Ag 20u")

(8):Special option:

0=Center Pin with Nickel plating

1=Center Pin with Gold plating

(9):Packing mode:

1=Reel packing

Specification:

1.Rating : DC 20V 7A.

2.Contact resistance: ≤30mΩ

After test:≤50mΩ

3.Insulation resistance: ≥100MΩ (500VDC).

After test:≥50MΩ

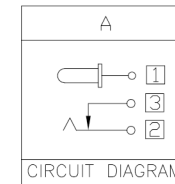
4.Withstanding voltage: 500VAC.

5.Insertion and extraction force: 3N~30N.

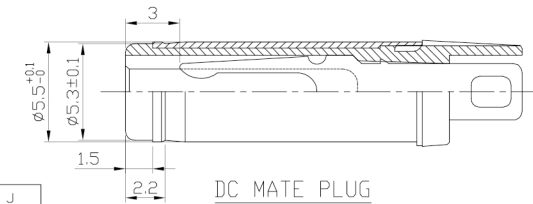
6.Life test: 5000 cycles min.

7.Operation temperature range:-20℃~70℃

8.Preservative temperature range:-40℃~85℃



Model No.	H	J
CENTER PIN	∅2.0	∅2.5



○: ITEM NO. □: TERMINAL NO.

NO.	PARTS	MATERIAL	Q'TY	FINISHING
⑥	SHELL	Copper alloy	1	Nickel plating
⑤	Grounding	Stainless Steel	1	
④	Shunt terminal ③	Copper alloy	1	Silver plating
③	Tip spring ②	Copper alloy	1	Silver plating
②	pin ①	Copper alloy	1	Nickel plating/Gold plating
①	Housing	High-temp Thermoplastic	1	Black halogen free

THESE DRAWINGS AND SPECIFICATIONS ARE THE PROPERTY OF ACCURATE INNO TECH INC AND SHALL NOT BE REPRODUCED, COPIED OR USED IN ANY MANNER WITHOUT THE PRIOR WRITTEN CONSENT OF ACCURATE INNO TECH INC.

TOLERANCE	ANGLES	UNITS	mm
±0.3	±2°	MAT'L	SEE NOTE
		FINISH	SEE NOTE
		Q'TY	

东莞市腾兴电子有限公司			
TITLE: SMD DC POWER JACK		PART NO.: DCB0-01680	
DR: Ricky 2018/06/27		DWG NO.: AB0-01680	
CHKD: Ricky 2018/06/27		SCALE	SHEET
APPD:		1:1	1/1
		REV.	CUSTOMER DRAWING
		A	