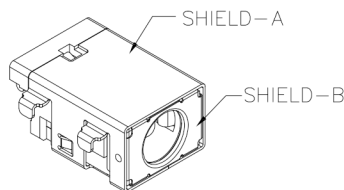
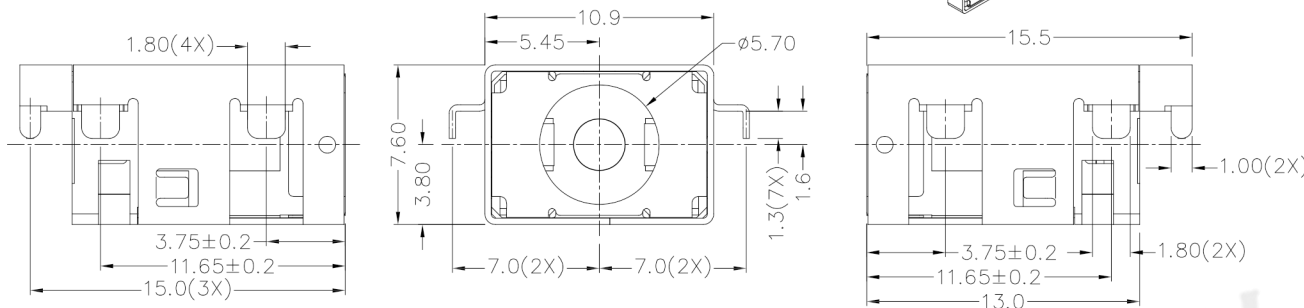




RoHS
Compliant
2002/95/EC

Halogen Free

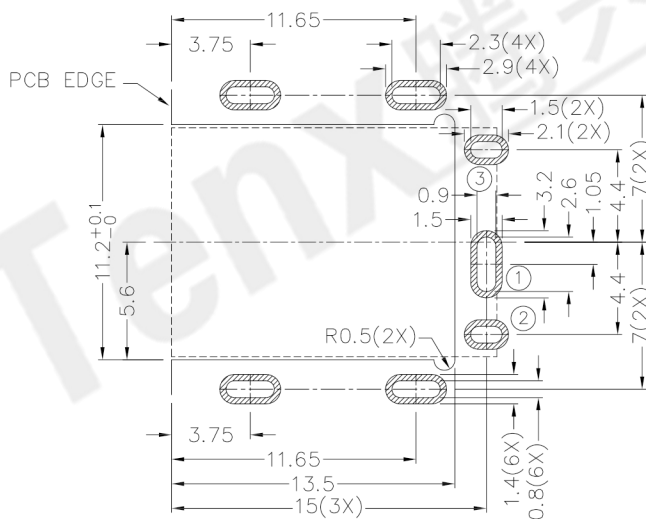
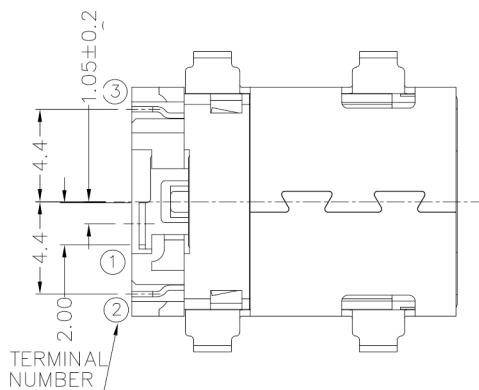
DIMENSIONS



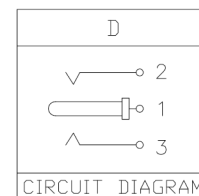
MODEL CODE:
DCT0-111DHS- D J 10 BK G 0 1
 (1) (2) (3)(4)(5) (6) (7)(8) (9)
 (1):Series type:SMD DC POWER JACK.
 (2):Series No.
 (3):Schematic option: D
 (4):Center pin diameter:
 J=Ø2.5mm
 (5):Material of housing:
 10=PA10T
 (6):Housing color:
 BK=Black
 (7):Terminal plating:
 G=Gold(Au)
 (8):Special option:
 0=No special option
 (9):Packing mode:
 1=Reel packing

Specification:

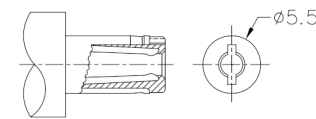
- 1.Rating : 5A/16V DC Max.
- 2.Contact resistance : ≤30mΩ
After test:≤60mΩ
- 3.Insulation resistance : ≥100MΩ (DC500V).
After test:≥50MΩ
- 4.Withstanding voltage : 500VAC.
- 5.Insertion and extraction force : 0.3~3Kgs.
- 6.Life test : 5,000cycles min.
- 7.Operation temperature range:-25℃~85℃.



RECOMMENDED P.C.B. LAYOUT
TOLERANCE:±0.05
(TOP VIEW)



MODEL NO.	J
CENTER PIN	Ø2.5mm



DC MATE PLUG

Bill of materials:

NO.	PARTS	MATERIAL	Q'TY	FINISHING
6	TERMINAL 1	BRASS	1	GOLD PLATED
5	TERMINAL 2	COPPER ALLOY	1	GOLD PLATED
4	TERMINAL 3	COPPER ALLOY	1	GOLD PLATED
3	SHIELD-A	BRASS	1	NICKEL PLATED
2	SHIELD-B	STAINLESS STEEL	1	
1	HOUSING	PA10T	1	UL94V-0

THESE DRAWINGS AND SPECIFICATIONS ARE THE PROPERTY OF ACCURATE INNO TECH INC AND SHALL NOT BE REPRODUCED, COPIED OR USED IN ANY MANNER WITHOUT THE PRIOR WRITTEN CONSENT OF ACCURATE INNO TECH INC.

TOLERANCE	±0.3
ANGLES	±2°
UNITS	mm
MAT'L	SEE NOTE
FINISH	SEE NOTE
Q'TY	

东莞市腾兴电子有限公司

TITLE: SMD DC POWER JACK		PART NO.: DCT0-111DHS	
DR: Ricky 2018/10/12		DWG NO.: AT0-111DHS	
CHKD: Ricky 2018/10/12		SCALE	SHEET
APPD:		1:1	1/1
		REV.	CUSTOMER DRAWING
		A	