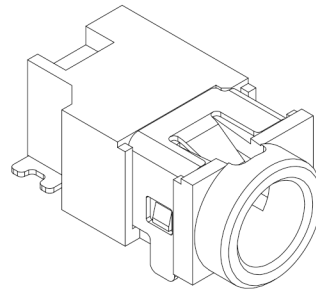




RoHS Compliant  
2002/95/EC

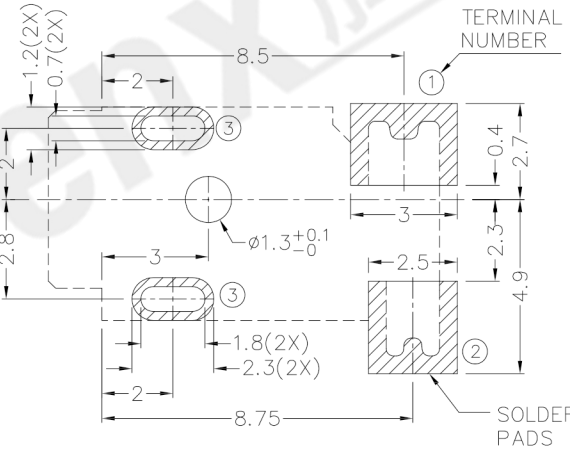
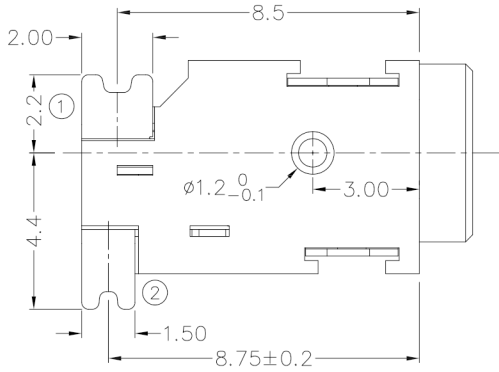
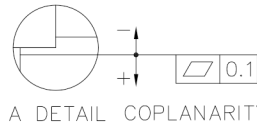
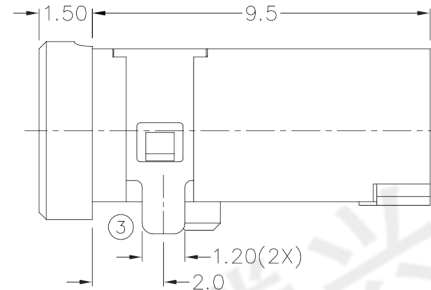
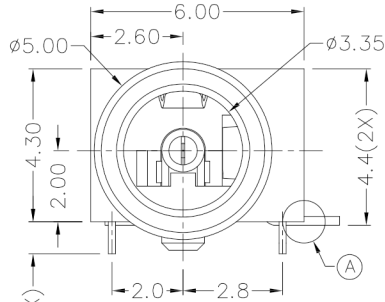
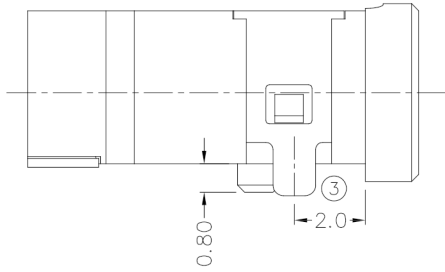
Halogen Free

DIMENSIONS

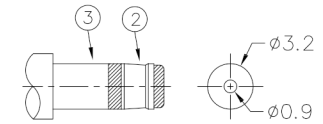
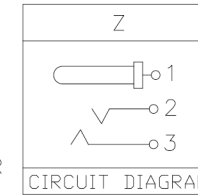


REV.	ECN.	NO.	APPD.

MODEL CODE:  
DCT0-00072D- Z Y 10 BK G 0 1  
(1) (2) (3)(4)(5) (6) (7)(8) (9)  
(1):Series type:SMD DC POWER JACK.  
(2):Series No.  
(3):Schematic option: Z  
(4):Center pin diameter:  
Y=ø0.8mm  
(5):Material of housing:  
10=PA10T  
(6):Housing color:  
BK=Black  
(7):Terminal plating:  
G=Gold(Au)  
(8):Special option:  
0=No special option  
(9):Packing mode:  
1=Reel packing



Specification:  
1.Rating : 2A/16V DC Max.  
2.Contact resistance : ≤30mΩ  
After test:≤60mΩ  
3.Insulation resistance : ≥100MΩ (DC500V).  
After test:≥50MΩ  
4.Withstanding voltage : 500VAC.  
5.Insertion and extraction force : 0.3~3Kgs..  
6.Life test : 5,000cycles min.  
7.Operation temperature range:-25℃~85℃.



MODEL NO.	Y
CENTER PIN	ø0.8mm

Bill of materials:

NO.	PARTS	MATERIAL	Q'TY	FINISHING
4	TERMINAL 1	BRASS	1	GOLD PLATED
3	TERMINAL 2	COPPER ALLOY	1	GOLD PLATED
2	TERMINAL 3	COPPER ALLOY	1	GOLD PLATED
1	HOUSING	PA10T	1	UL94V-0

TOLERANCE	ANGLES	UNITS	mm
±0.3	±2°	MAT'L	SEE NOTE
		FINISH	SEE NOTE
		Q'TY	

<b>东莞市腾兴电子有限公司</b>			
TITLE: SMD DC POWER JACK		PART NO.: DCT0-00072D	
DR: Ricky 2018/10/04		DWG NO.: AT0-00072D	
CHKD: Ricky 2018/10/04		SCALE	SHEET
APPD:		1:1	1/1
		REV.	CUSTOMER DRAWING
		A	

THESE DRAWINGS AND SPECIFICATIONS ARE THE PROPERTY OF ACCURATE INNOVATECH INC AND SHALL NOT BE REPRODUCED, COPIED OR USED IN ANY MANNER WITHOUT THE PRIOR WRITTEN CONSENT OF ACCURATE INNOVATECH INC.