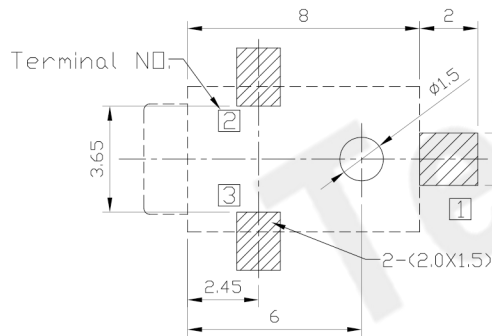
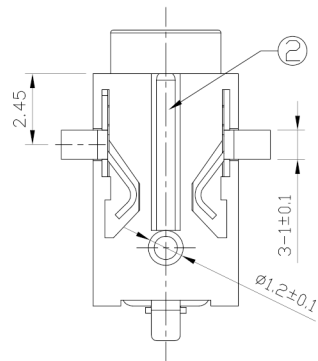
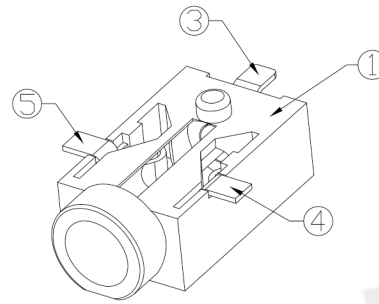
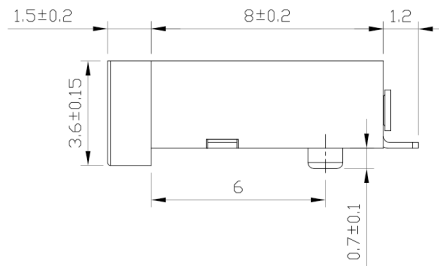
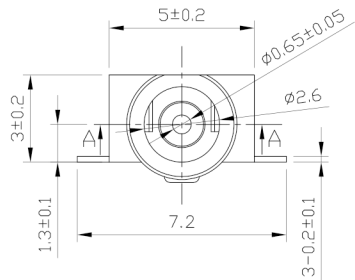




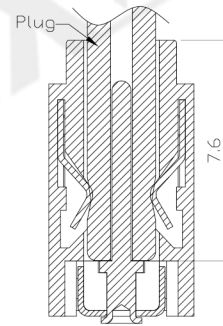
RoHS
Compliant
2002/95/EC

REV.	ECN.	NO.	APPD.

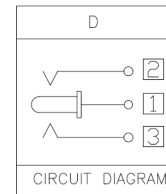
DIMENSIONS



P.C.B Layout (Top view)



SECTION A-A



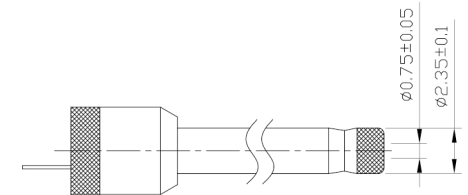
MODEL CODE:

DCB0-0055A- D A 9T BK S 0 1

- (1) (2) (3)(4)(5) (6)(7)(8) (9)
- (1):Series type:SMD DC POWER JACK.
 (2):Series No.
 (3):Schematic option: D
 (4):Center pin diameter:
 A=φ0.65
 (5):Material of housing:
 9T=PA9T(Standard)
 (6):Housing color:
 BK=Black, 9C=White(0419)
 (7):Terminal plating:
 S=Silver(Ag)
 (8):Special option:
 0=No special option
 (9):Packing mode:
 1=Reel packing
 4=Bag packing

SPECIFICATION

- Rating : DC 12V 2A;
- Contact resistance: $\leq 30m\Omega$;
- Insulation resistance: $\geq 100M\Omega$ (DC500V);
- Withstand voltage: 500VAC ;
- Insertion and extraction force: 3-30N;
- life test: 5,000 cycles;
- Operation temperature range: $-20^{\circ}C \sim 70^{\circ}C$;
- Preservative temperature range: $-40^{\circ}C \sim 85^{\circ}C$;



DC MATE PLUG

○: ITEM NO. □: TERMINAL NO.

NO.	PARTS	MATERIAL	Q'TY	FINISHING	TOLERANCE	ANGLES	UNITS	mm
⑤	Tip spring ③	Beryllium bronze	1	Silver plating	±0.3	±2°	MAT'L	SEE NOTE
④	Tip spring ②	Beryllium bronze	1	Silver plating				
③	Center pin terminal ①	Brass	1	Silver plating	FINISH	SEE NOTE	Q'TY	SEE NOTE
②	Center pin ①	Brass	1	Silver plating				
①	Housing	PA9T	1		<small>THESE DRAWINGS AND SPECIFICATIONS ARE THE PROPERTY OF ACCURATE INNOTECH INC AND SHALL NOT BE REPRODUCED, COPIED OR USED IN ANY MANNER WITHOUT THE PRIOR WRITTEN CONSENT OF ACCURATE INNOTECH INC.</small>			

东莞市腾兴电子有限公司

TITLE:	SMD DC POWER JACK	PART NO.:	DCB0-0055A
DR:	Ricky 2018/06/22	DWG NO.:	AB0-0055A
CHKD:	Ricky 2018/06/22	SCALE	1:1
APPD:		SHEET	1/1
		REV.	A
		CUSTOMER DRAWING	