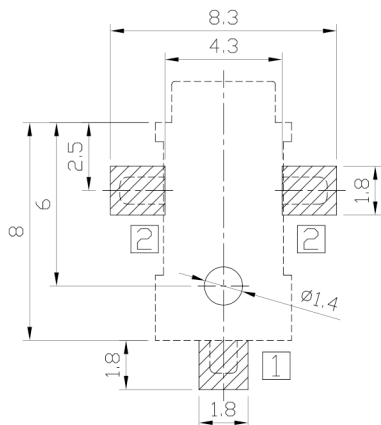
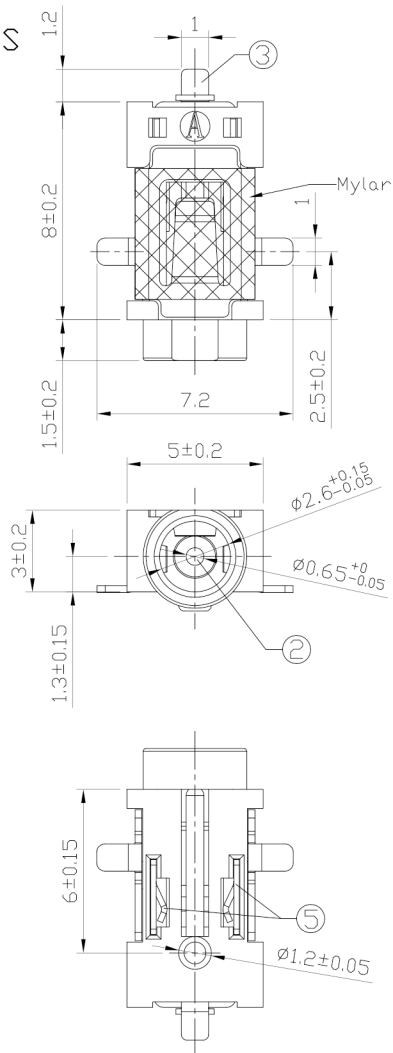


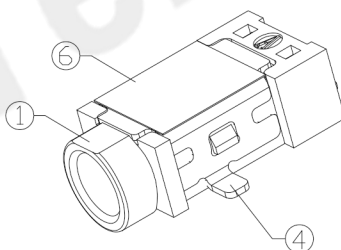
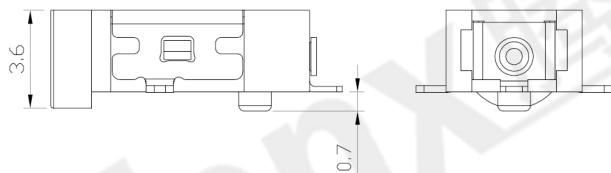


RoHS
Compliant
2002/95/EC

DIMENSIONS



RECOMMENDED P.C.B. LAYOUT
UNSPECIFIED TOLERANCE: ±0.05
(TOP VIEW)



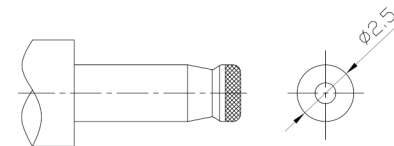
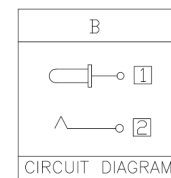
MODEL CODE:

DCB0-0128A- B A LC BK S 0 1

- (1) (2) (3)(4) (5) (6) (7)(8) (9)
 (1):Series type:SMD DC POWER JACK.
 (2):Series No.
 (3):Schematic option: B
 (4):Center pin diameter:
 A=∅0.65
 (5):Material of housing:
 LC=LCP(Standard)
 (6):Housing color:
 BK=Black(Standard)
 (7):Terminal plating:
 S=Silver(Ag)(Standard)
 (8):Special option:
 0=No special option
 M=With Mylar
 (9):Packing mode:
 1=Reel packing

Specification:

- Rating : DC 6V 2A.
- Contact resistance: ≤50mΩ
After test: ≤100mΩ
- Insulation resistance: ≥100MΩ (500VDC).
After test: ≥50MΩ
- Withstand voltage: 500VAC.
- Insertion and extraction force: 3N~30N.
- life test: 5000cycles min.
- Operation temperature range:-20℃~70℃
- Preservative temperature range:-40℃~85℃



DC MATE PLUG

○: ITEM NO. □: TERMINAL NO.

NO.	PARTS	MATERIAL	Q'TY	FINISHING	TOLERANCE	ANGLES	UNITS
⑥	Mylar	Polyimide 0.05t	1				mm
⑤	Spring	Stainless steel t=0.2	2		±0.3	±2°	MAT'L
④	Tip spring	Phosphor bronze t=0.25	1	Silver plating			SEE NOTE
③	Center pin terminal	Brass t=0.2	1	Silver plating			FINISH
②	Center pin	Brass	1	Silver plating			SEE NOTE
①	Housing	LCP UL 94V-0	1	Black			Q'TY

THESE DRAWINGS AND SPECIFICATIONS ARE THE PROPERTY OF ACCURATE INNO TECH INC AND SHALL NOT BE REPRODUCED, COPIED OR USED IN ANY MANNER WITHOUT THE PRIOR WRITTEN CONSENT OF ACCURATE INNO TECH INC.



东莞市腾兴电子有限公司

TITLE: SMD DC POWER JACK		PART NO.: DCB0-0128A	
DR: Ricky 2018/06/26		DWG NO.: AB0-0128A	
SCALE	SHEET	REV.	CUSTOMER DRAWING
1:1	1/1	A	