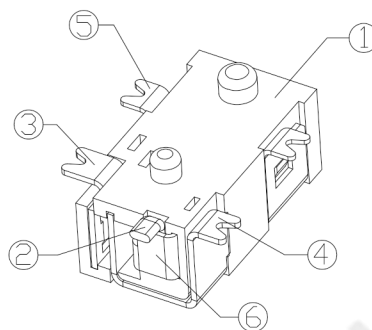
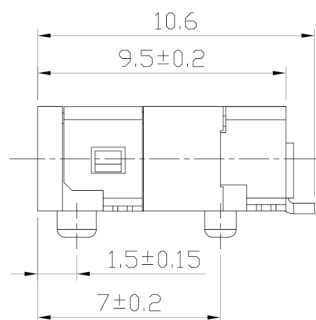
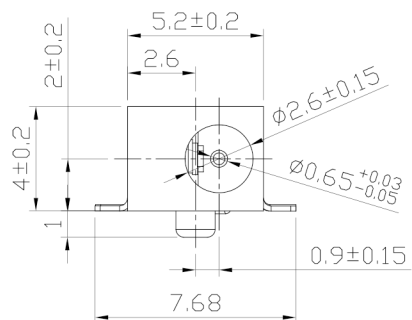




RoHS
Compliant
2002/95/EC

REV.	ECN.	NO.	APPD.

DIMENSIONS



MODEL CODE:

DCB0-00410- A A 9T BK S 0 1

(1) (2) (3)(4)(5) (6)(7)(8) (9)

(1):Series type:SMD DC POWER JACK.

(2):Series No.

(3):Schematic option: A,B

(4):Center pin diameter:
A=φ0.65

(5):Material of housing:
9T=PA9T(Standard)

(6):Housing color:
BK=Black

(7):Terminal plating:
S=Silver(Ag)

(8):Special option:
0=No special option

(9):Packing mode:
1=Reel packing

SPECIFICATION

1.Rating : DC 20V 2A;

2.Contact resistance: ≤30mΩ;
After test:≤50mΩ;

3.Insulation resistance: ≥100MΩ (DC500V);

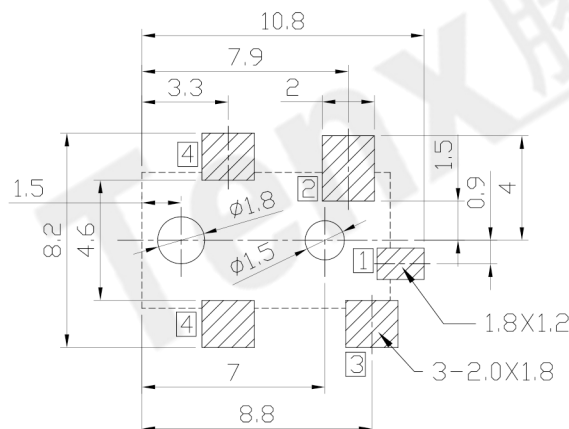
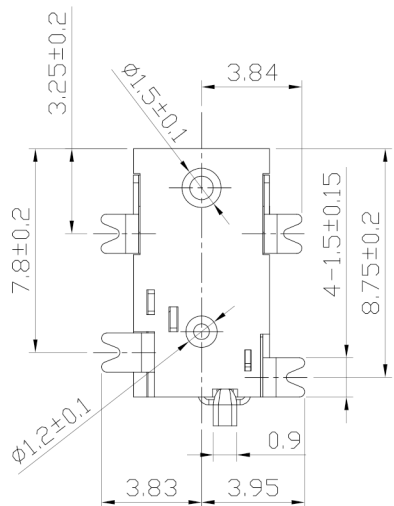
4.Withstand voltage: 500VAC ;

5.Insertion and extraction force: 3-30N;

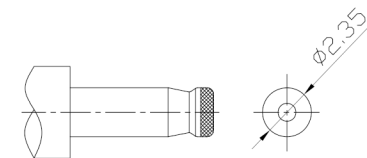
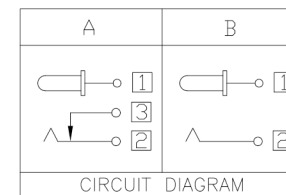
6.life test: 5,000 cycles;

7.Operate temperature range:-20°C~70°C;

8.Preservative temperature range:-40°C~85°C;



Recommended PCB Layout
Tolerance±0.05
(Copper-sided View)



DC MATE PLUG

○: ITEM NO. □: TERMINAL NO.

NO.	PARTS	MATERIAL	Q'TY	FINISHING	TOLERANCE	ANGLES	UNITS
⑥	Hook	Stainless steel 0.2t	1	Silver plating			mm
⑤	Earth terminal	Brass,0.2t	1	Silver plating	±0.3	±2°	MAT'L
④	Shunt terminal ③	Brass,0.25t	1	Silver plating			SEE NOTE
③	Tip spring ②	Beryllium bronze 0.25t	1	Silver plating			FINISH
②	Center pin ①	Phosphor bronze	1	Silver plating			SEE NOTE
①	Housing	PA9T	1				Q'TY

THESE DRAWINGS AND SPECIFICATIONS ARE THE PROPERTY OF ACCURATE INNO TECH INC AND SHALL NOT BE REPRODUCED, COPIED OR USED IN ANY MANNER WITHOUT THE PRIOR WRITTEN CONSENT OF ACCURATE INNO TECH INC.



东莞市腾兴电子有限公司

TITLE: SMD DC POWER JACK	PART NO.: DCB0-00410
DR: <i>Ricky</i> 2018/06/15	DWG NO.: AB0-00410
CHKD: <i>Ricky</i> 2018/06/15	SCALE SHEET REV. CUSTOMER DRAWING
APPD:	1:1 1/1 A