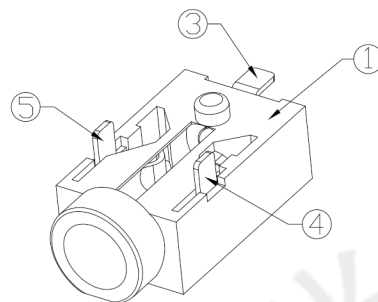
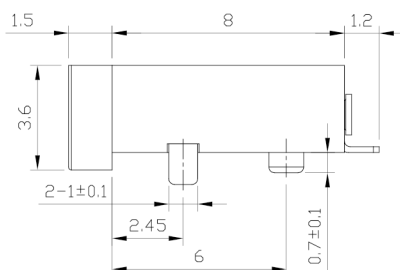
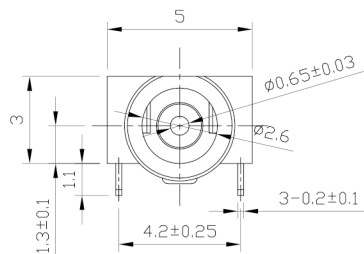




RoHS
Compliant
2002/95/EC

REV.	ECN.	NO.	APPD.

DIMENSIONS



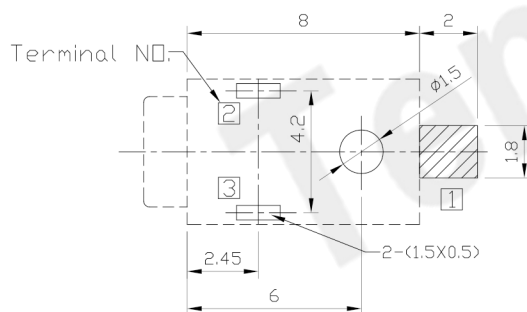
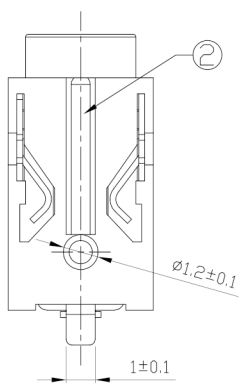
MODEL CODE:

DCB0-00550- D A 9T BK S 0 1

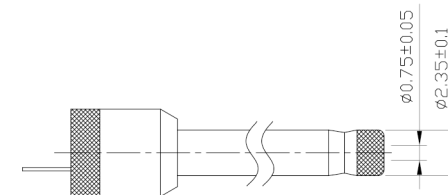
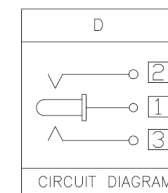
- (1) (2) (3)(4)(5) (6)(7)(8) (9)
- (1):Series type:SMD DC POWER JACK.
 (2):Series No.
 (3):Schematic option: D
 (4):Center pin diameter:
 A=Ø0.65
 (5):Material of housing:
 9T=PA9T(Standard)
 (6):Housing color:
 BK=Black, 9C=White(0419)
 (7):Terminal plating:
 S=Silver(Ag)
 (8):Special option:
 0=No special option
 (9):Packing mode:
 1=Reel packing
 4=Bag packing

SPECIFICATION

- Rating : DC 12V 2A;
- Contact resistance: $\leq 30m\Omega$;
- Insulation resistance: $\geq 100M\Omega$ (DC500V);
- Withstand voltage: 500VAC ;
- Insertion and extraction force: 3-30N;
- life test: 5,000 cycles;
- Operation temperature range: $-20^{\circ}C \sim 70^{\circ}C$;
- Preservative temperature range: $-40^{\circ}C \sim 85^{\circ}C$;



P.C.B Layout (Top view)



DC MATE PLUG

○: ITEM NO. □: TERMINAL NO.

NO.	PARTS	MATERIAL	Q'TY	FINISHING
⑤	Tip spring ③	Beryllium bronze	1	Silver plating
④	Tip spring ②	Beryllium bronze	1	Silver plating
③	Center pin terminal ①	Brass	1	Silver plating
②	Center pin ①	Brass	1	Silver plating
①	Housing	PA9T	1	

TOLERANCE	ANGLES	UNITS
±0.3	±2°	mm
SEE NOTE		MAT'L
SEE NOTE		FINISH
Q'TY		

东莞市腾兴电子有限公司

TITLE: SMD DC POWER JACK	PART NO.: DCB0-00550
DR: Ricky 2018/06/22	DWG NO.: AB0-00550
CHKD: Ricky 2018/06/22	SCALE SHEET REV. CUSTOMER DRAWING
APPD:	1:1 1/1 A

THESE DRAWINGS AND SPECIFICATIONS ARE THE PROPERTY OF ACCURATE INNO TECH INC AND SHALL NOT BE REPRODUCED, COPIED OR USED IN ANY MANNER WITHOUT THE PRIOR WRITTEN CONSENT OF ACCURATE INNO TECH INC.

