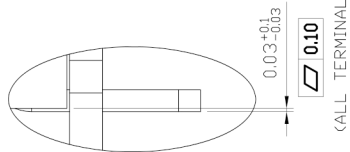


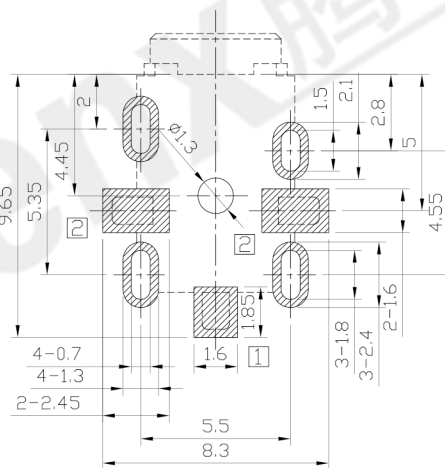
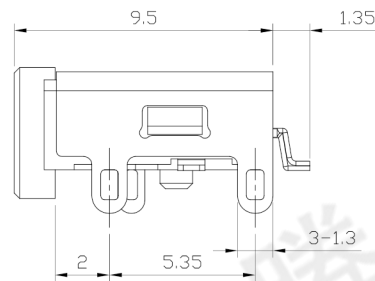
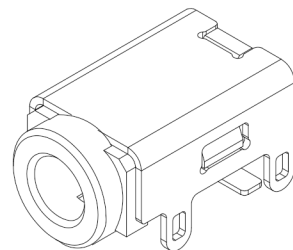
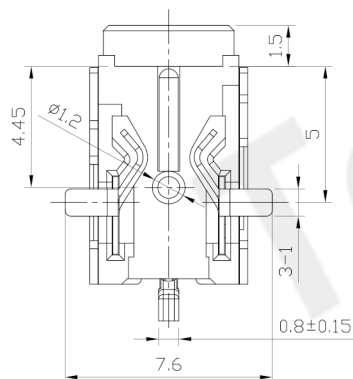
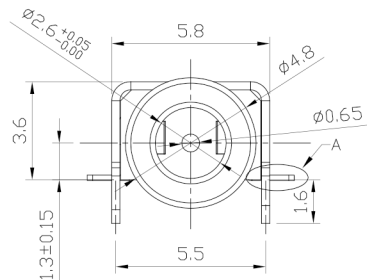
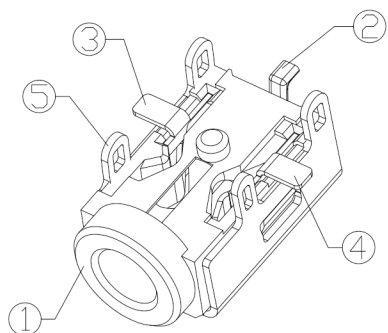
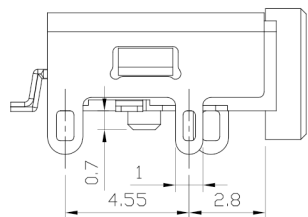


RoHS
Compliant
2002/95/EC

DIMENSIONS



VIEW A
SCALE 4:1



P.C.B Layout
(Top view)

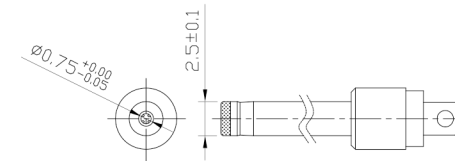
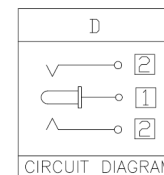
MODEL CODE:

DCB0-01310- D A LC BK S 0 1

- (1) (2) (3)(4) (5) (6) (7)(8) (9)
- (1):Series type:SMD DC POWER JACK.
(2):Series No.
(3):Schematic option: D
(4):Center pin diameter:
A=∅0.65
(5):Material of housing:
LC=LCP(Standard)
(6):Housing color:
BK=Black
(7):Terminal plating:
S=Silver(Ag)
(8):Special option:
0=No special option
(9):Packing mode:
1=Reel packing

SPECIFICATION

- Rating : DC 12V 2A;
- Contact resistance: ≤30mΩ;
- Insulation resistance: ≥100MΩ (DC250V);
- Withstand voltage: 500VAC ;
- Insertion and extraction force: 3-30N;
- life test: 5,000 cycles.
- Operation temperature range:-20℃~70℃
- Preservative temperature range:-40℃~85℃



DC MATE PLUG

○: ITEM NO. □: TERMINAL NO.

NO.	PARTS	MATERIAL	Q'TY	FINISHING	TOLERANCE	ANGLES	UNITS
⑤	Shell	Brass t=0.3	1	Nickel plating	±0.3	±2°	mm
④	Tip spring II	Phosphor bronze t=0.2	1	Silver plating			SEE NOTE
③	Tip spring I	Phosphor bronze t=0.2	1	Silver plating			SEE NOTE
②	Center pin	Brass	1	Silver plating			Q'TY
①	Housing	LCP UL94V-0	1				

THESE DRAWINGS AND SPECIFICATIONS ARE THE PROPERTY OF ACCURATE INNOVATION INC AND SHALL NOT BE REPRODUCED, COPIED OR USED IN ANY MANNER WITHOUT THE PRIOR WRITTEN CONSENT OF ACCURATE INNOVATION INC.

东莞市腾兴电子有限公司			
TITLE: SMD DC POWER JACK		PART NO.: DCB0-01310	
DR: Ricky 2018/06/26		DWG NO.: AB0-01310	
CHKD: Ricky 2018/06/26		SCALE: 1:1	SHEET: 1/1
APPD:		REV: A	CUSTOMER DRAWING