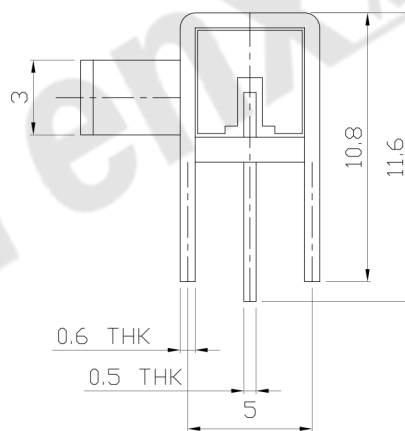
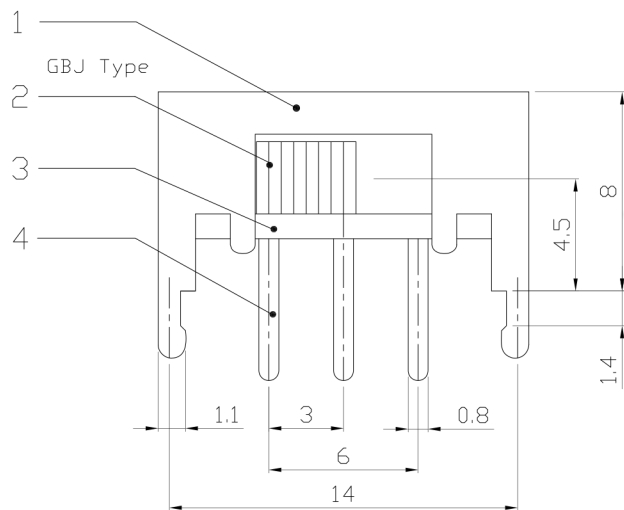
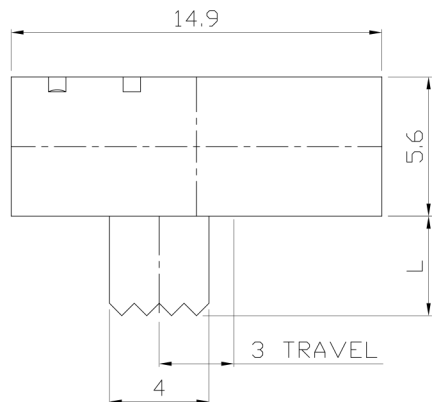




RoHS  
Compliant  
2002/95/EC

REV.	ECN. NO.	APPD.

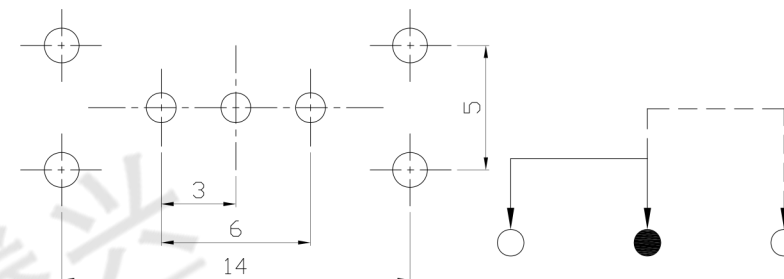
### DIMENSIONS



### MODEL CODE

SK-12F16- GBJ

Knob Type	L(mm)
GBJ	~



P.C.B LAYOUT  
BOTTOM VIEW

CIRCUIT DIAGRAM

### ELECTRO-MECHANICAL CHARACTERISTICS

Refer to additional specifications

RATING	0.3A 50V DC
CIRCUIT	1P2T
CONTACT RESISTANCE	30mΩ MAX.
TIMING	NON-SHORTING
TRAVEL	3mm
OPERATING FORCE	200±100gf
OPERATING LIFE(cycles)	10,000

NO.	PARTS	MATERIAL	Q'TY	FINISHING
8				
7	STEEL BALL	STEEL	1	NATURAL
6	SPRING	STEEL WIRE	1	TEMPER
5	CONTACT CLIP	PBS STRIP	1	Ag PLATED
4	TERMINAL	BRASS STRIP	3	Ag PLATED OVER Ni PLATED
3	BASE	PHENOLIC RESIN	1	NATURAL
2	KNOB	POM	1	BLACK
1	FRAME	STEEL STRIP	1	Ni PLATED

THESE DRAWINGS AND SPECIFICATIONS ARE THE PROPERTY OF ACCURATE INNO TECH INC AND SHALL NOT BE REPRODUCED, COPIED OR USED IN ANY MANNER WITHOUT THE PRIOR WRITTEN CONSENT OF ACCURATE INNO TECH INC.

WITHIN 1.5mm: ±0.1mm	UNITS	mm	东莞市腾兴电子有限公司				
OVER 1.5mm: ±0.2mm	MAT'L						
	SEE NOTE		TITLE:	PART NO.:			
			SLIDE SWITCH / HORIZONTAL	SK-12F16			
	FINISH		DR:	DWG NO.:			
	SEE NOTE		Ricky 2015/12/04	ADJ-12F16			
	Q'TY		CHKD:	SCALE SHEET REV. CUSTOMER			
			Ricky 2015/12/04	3:1	1/1	A	DRAWING
			APPD:				