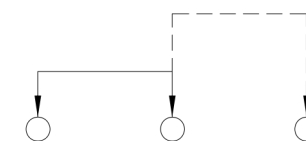
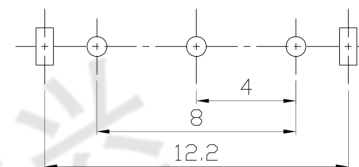
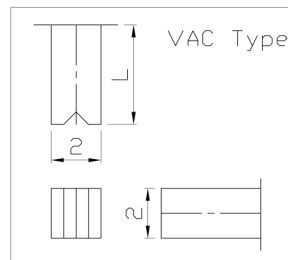
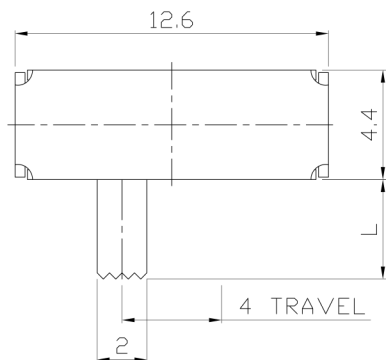




RoHS Compliant
2002/95/EC

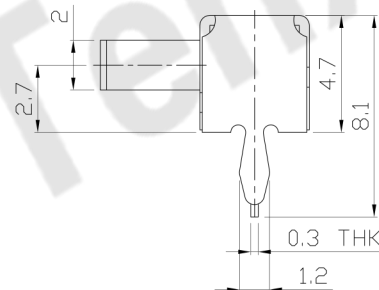
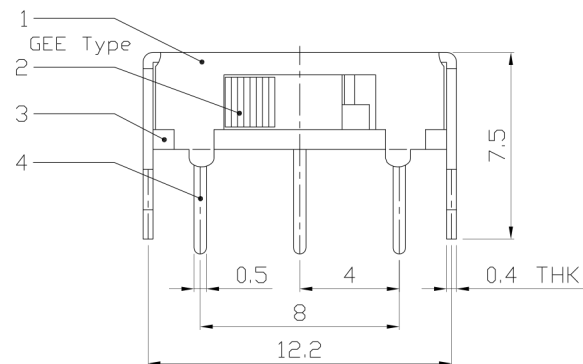
REV.	ECN. NO.	APPD.

DIMENSIONS



P.C.B LAYOUT
BOTTOM VIEW

CIRCUIT DIAGRAM



ELECTRO-MECHANICAL CHARACTERISTICS

Refer to additional specifications

RATING	0.3A 50V DC
CIRCUIT	1P2T
CONTACT RESISTANCE	30mΩ MAX.
TIMING	NOT SPECIFIED
TRAVEL	4mm
OPERATING FORCE	200±100gf
OPERATING LIFE(cycles)	10,000

NO.	PARTS	MATERIAL	Q'TY	FINISHING
8				
7				
6	SPRING PLATE	SUS	1	NATURAL
5	CONTACT CLIP	PBS C5210R-EH	1	Ag CLAD
4	TERMINAL	BRASS STRIP	5	Ag PLATED OVER Ni PLATED
3	BASE	PHENOLIC RESIN	1	NATURAL
2	KNOB	POM	1	BLACK
1	FRAME	STEEL STRIP	1	Ni PLATED

THESE DRAWINGS AND SPECIFICATIONS ARE THE PROPERTY OF ACCURATE INNO TECH INC AND SHALL NOT BE REPRODUCED, COPIED OR USED IN ANY MANNER WITHOUT THE PRIOR WRITTEN CONSENT OF ACCURATE INNO TECH INC.

UNITS	mm	东莞市腾兴电子有限公司			
WITHIN 1.5mm: ±0.1mm		TITLE: SLIDE SWITCH / HORIZONTAL		PART NO.: SK-12H01	
OVER 1.5mm: ±0.2mm		DR: Ricky 2015/12/08		DWG NO.: ADJ-12H01	
SEE NOTE		CHKD: Ricky 2015/12/08		SCALE	SHEET
SEE NOTE		APPD:		4:1	1/1
Q'TY				REV.	CUSTOMER DRAWING
				A	

