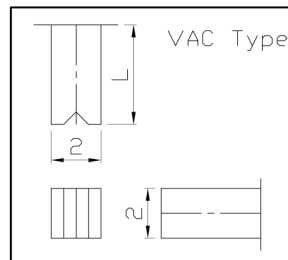
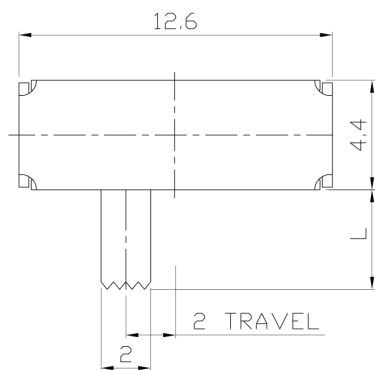




**RoHS Compliant**  
2002/95/EC

REV.	ECN. NO.	APPD.

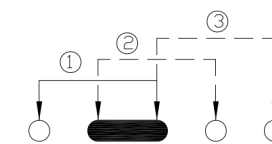
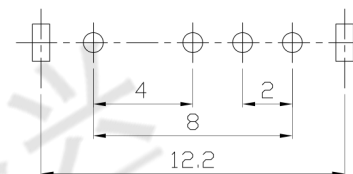
### DIMENSIONS



### MODEL CODE

SK-13D05-**GEE**

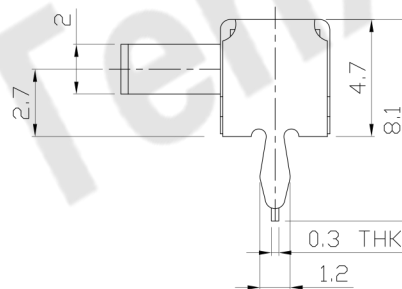
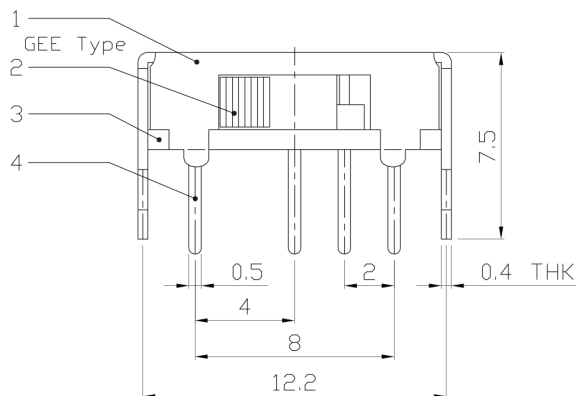
Knob Type	L(mm)
GEE	~
VAC	



① → ② NON-SHORTING  
② → ③ SHORTING

P.C.B LAYOUT  
BOTTOM VIEW

CIRCUIT DIAGRAM



### ELECTRO-MECHANICAL CHARACTERISTICS

Refer to additional specifications

RATING	0.3A 30V DC
CIRCUIT	1P3T
CONTACT RESISTANCE	30mΩ MAX.
TIMING	NOT SPECIFIED
TRAVEL	2mm
OPERATING FORCE	<T1→T2 T3→T2>200±100gf <T2→T3 T2→T1>300±100gf
OPERATING LIFE(cycles)	10,000

8					
7					
6	SPRING PLATE	STAINLESS STEEL	1	NATURAL	WITHIN 1.5mm: ±0.1mm
5	CONTACT CLIP	PBS	1	Ag CLAD	OVER 1.5mm: ±0.2mm
4	TERMINAL	BRASS STRIP	4	Ag PLATED OVER Ni PLATED	
3	BASE	PHENOLIC RESIN	1	NATURAL	
2	KNOB	PDM	1	BLACK	
1	FRAME	STEEL STRIP	1	Ni PLATED	
NO.	PARTS	MATERIAL	Q'TY	FINISHING	

THESE DRAWINGS AND SPECIFICATIONS ARE THE PROPERTY OF ACCURATE INNO TECH INC AND SHALL NOT BE REPRODUCED, COPIED OR USED IN ANY MANNER WITHOUT THE PRIOR WRITTEN CONSENT OF ACCURATE INNO TECH INC.

UNITS	mm	<b>东莞市腾兴电子有限公司</b>			
MAT'L	SEE NOTE				
FINISH	SEE NOTE	TITLE:	PART NO.:		
Q'TY		SLIDE SWITCH / HORIZONTAL	SK-13D05		
		DR: <i>Ricky</i> 2015/12/08	DWG NO.:		
		CHKD: <i>Ricky</i> 2015/12/08	ADJ-13D05		
		APPD:	SCALE	SHEET	REV.
			4:1	1/1	A
			CUSTOMER DRAWING		