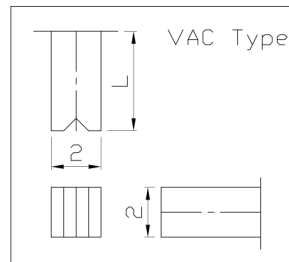
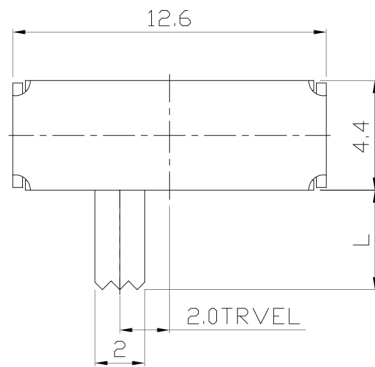




RoHS Compliant
2002/95/EC

REV.	ECN.	NO.	APPD.

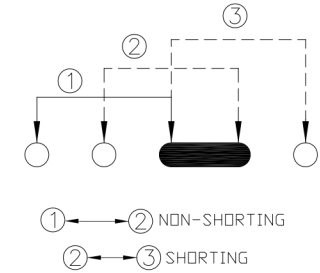
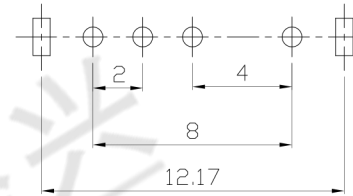
DIMENSIONS



MODEL CODE

SK-13D11- GFB

Knob Type	L(mm)
GFB	~
VAC	



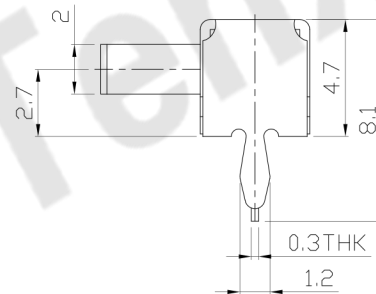
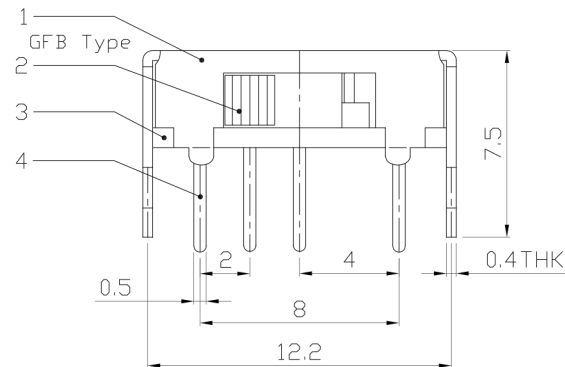
P.C.B LAYOUT
BOTTOM VIEW

CIRCUIT DIAGRAM

ELECTRO-MECHANICAL CHARACTERISTICS

Refer to additional specifications

RATING	0.3A 50V DC
CIRCUIT	1P3T
CONTACT RESISTANCE	100mΩ MAX.
TIMING	SHORTING
TRAVEL	2mm
OPERATING FORCE	250±100gf
OPERATING LIFE(cycles)	10,000



8					
7					
6	SPRING PLATE	STAINLESS STEEL	1	NATURAL	WITHIN 1.5mm: ±0.1mm
5	CONTACT CLIP	PBS C5210R-EH	1	Ag CLAD	OVER 1.5mm: ±0.2mm
4	TERMINAL	BRASS STRIP	4	Ag PLATED OVER Ni PLATED	
3	BASE	PHENOLIC RESIN	1	NATURAL	
2	KNOB	PDM	1	BLACK	
1	FRAME	STEEL STRIP	1	Ni PLATED	
NO.	PARTS	MATERIAL	Q'TY	FINISHING	

THESE DRAWINGS AND SPECIFICATIONS ARE THE PROPERTY OF ACCURATE INNOVATECH INC AND SHALL NOT BE REPRODUCED, COPIED OR USED IN ANY MANNER WITHOUT THE PRIOR WRITTEN CONSENT OF ACCURATE INNOVATECH INC.

东莞市腾兴电子有限公司			
TITLE: SLIDE SWITCH / HORIZONTAL		PART NO.: SK-13D11	
DR: <i>Ricky</i> 2016/06/23		DWG NO.: ADL-13D11	
CHKD: <i>Ricky</i> 2016/06/23		SCALE: 4:1	SHEET: 1/1
APPD:		REV.: A	CUSTOMER DRAWING