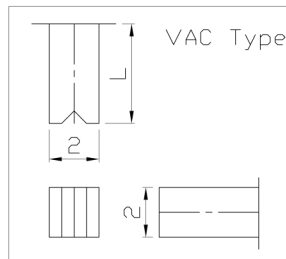
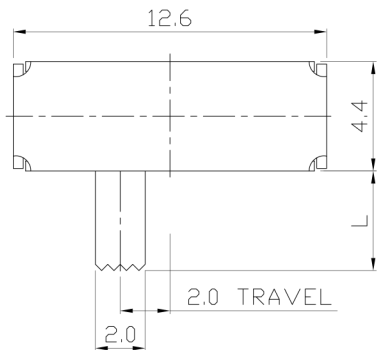




**RoHS Compliant**  
2002/95/EC

REV.	ECN.	NO.	APPD.

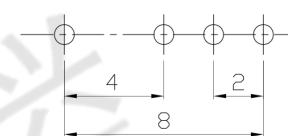
### DIMENSIONS



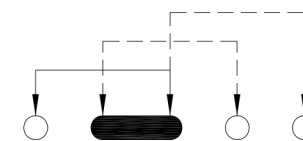
### MODEL CODE

SK-13D21-GEE

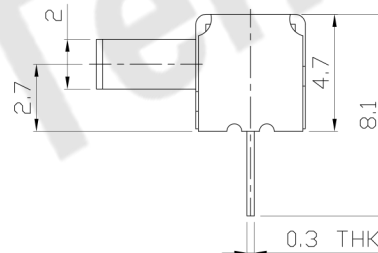
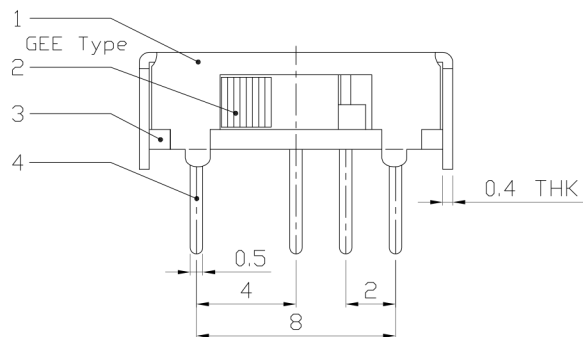
Knob Type	L(mm)
GEE	~
VAC	



P.C.B LAYOUT  
BOTTOM VIEW



CIRCUIT DIAGRAM



### ELECTRO-MECHANICAL CHARACTERISTICS

Refer to additional specifications

RATING	0.3A 30V DC
CIRCUIT	1P3T
CONTACT RESISTANCE	30mΩ MAX.
TIMING	SHORTING
TRAVEL	2mm
OPERATING FORCE	<T1→T2 T3→T2>200±100gf <T2→T3 T2→T1>300±100gf
OPERATING LIFE(cycles)	10,000

NO.	PARTS	MATERIAL	Q'TY	FINISHING
8				
7				
6	SPRING PLATE	STAINLESS STEEL	1	NATURAL
5	CONTACT CLIP	PBS C5210R-EH	1	Ag CLAD
4	TERMINAL	BRASS STRIP	4	Ag PLATED OVER Ni PLATED
3	BASE	PHENOLIC RESIN	1	NATURAL
2	KNOB	PDM	1	BLACK
1	FRAME	STEEL STRIP	1	Ni PLATED

THESE DRAWINGS AND SPECIFICATIONS ARE THE PROPERTY OF ACCURATE INNO TECH INC AND SHALL NOT BE REPRODUCED, COPIED OR USED IN ANY MANNER WITHOUT THE PRIOR WRITTEN CONSENT OF ACCURATE INNO TECH INC.

WITHIN 1.5mm: ±0.1mm	UNITS mm	<b>东莞市腾兴电子有限公司</b>			
OVER 1.5mm: ±0.2mm	MAT'L				
SEE NOTE	FINISH	TITLE:	PART NO.:		
SEE NOTE	Q'TY	SLIDE SWITCH / HORIZONTAL	SK-13D21		
		DR: <i>Ricky</i> 2015/12/09	DWG NO.:		
		CHKD: <i>Ricky</i> 2015/12/09	ADJ-13D21		
		APPD:	SCALE	SHEET	REV.
			4:1	1/1	A
			CUSTOMER DRAWING		