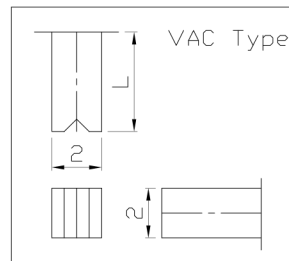
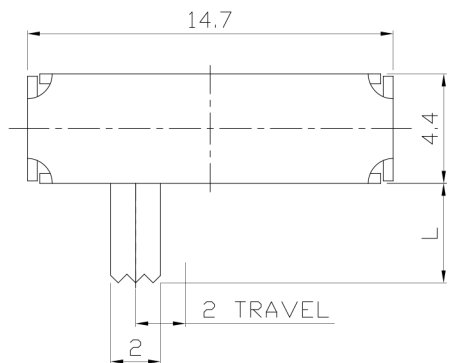




RoHS
Compliant
2002/95/EC

REV.	ECN.	NO.	APPD.

DIMENSIONS

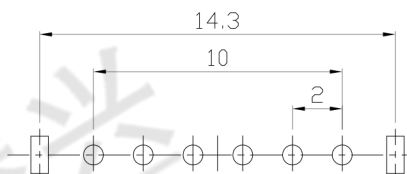


MODEL CODE

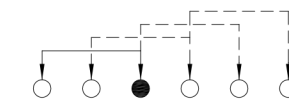
SK-14D01- GFB

Knob Type
GFB
VAC

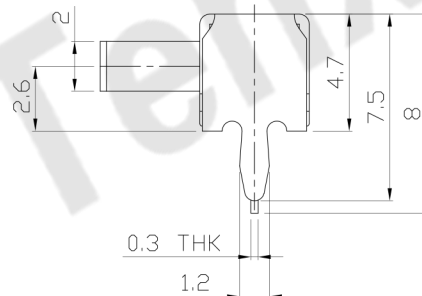
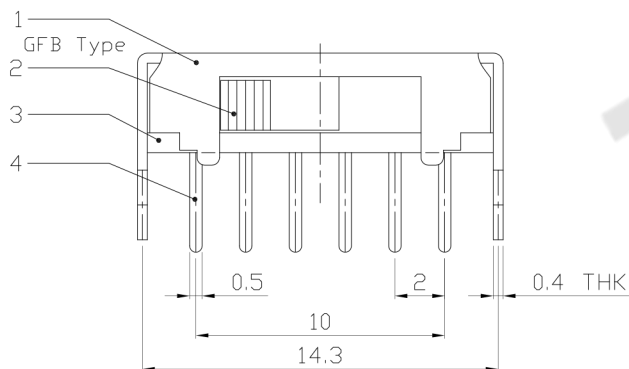
L(mm)
~



P.C.B LAYOUT
BOTTOM VIEW



CIRCUIT DIAGRAM



ELECTRO-MECHANICAL CHARACTERISTICS

Refer to additional specifications

RATING	0.3A 50V DC
CIRCUIT	1P4T
CONTACT RESISTANCE	100mΩ MAX.
TIMING	SHORTING
TRAVEL	2mm
OPERATING FORCE	250±100gf
OPERATING LIFE(cycles)	10,000

8					
7					
6	SPRING PLATE	PBS STRIP	1	NATURAL	
5	CONTACT CLIP	PBS STRIP	1	Ag CLAD	
4	TERMINAL	BRASS STRIP	6	Ag CLAD	
3	BASE	PHENOLIC RESIN	1	NATURAL	
2	KNOB	PDM	1	BLACK	
1	FRAME	STEEL STRIP	1	Ni PLATED	
NO.	PARTS	MATERIAL	Q'TY	FINISHING	

WITHIN 1.5mm: ±0.1mm
OVER 1.5mm: ±0.2mm

UNITS mm

MAT'L

SEE NOTE

FINISH

SEE NOTE

Q'TY

THESE DRAWINGS AND SPECIFICATIONS ARE THE PROPERTY OF ACCURATE INNO TECH INC AND SHALL NOT BE REPRODUCED, COPIED OR USED IN ANY MANNER WITHOUT THE PRIOR WRITTEN CONSENT OF ACCURATE INNO TECH INC.

东莞市腾兴电子有限公司

TITLE:
SLIDE SWITCH / HORIZONTAL

DR: Ricky 2016/06/23

CHKD: Ricky 2016/06/23

APPD:

PART NO.:
SK-14D01

DWG NO.:
ADL-14D01

SCALE	SHEET	REV.	CUSTOMER DRAWING
4:1	1/1	A	