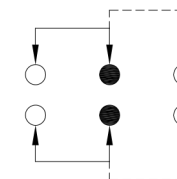
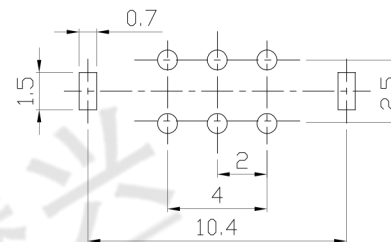
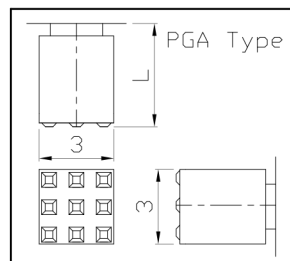
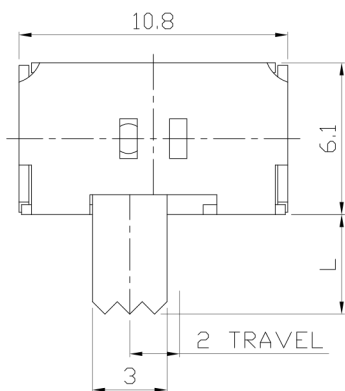




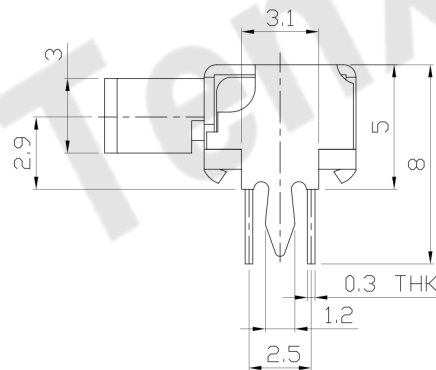
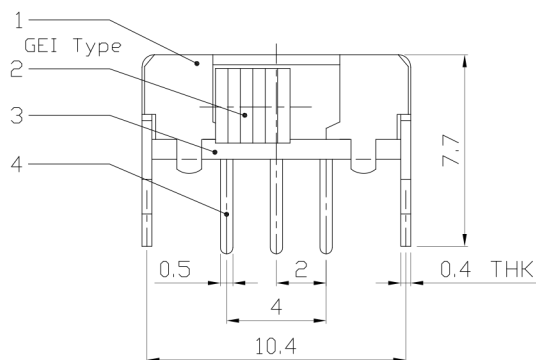
RoHS
Compliant
2002/95/EC

DIMENSIONS



P.C.B LAYOUT
BOTTOM VIEW

CIRCUIT DIAGRAM



ELECTRO-MECHANICAL CHARACTERISTICS

Refer to additional specifications

RATING	0.3A 50V DC
CIRCUIT	2P2T
CONTACT RESISTANCE	100mΩ MAX.
TIMING	NON-SHORTING
TRAVEL	2mm
OPERATING FORCE	250±100gf
OPERATING LIFE(cycles)	10,000

NO.	PARTS	MATERIAL	Q'TY	FINISHING
8				
7				
6	CONTACT CLIP	PBS STRIP	2	Ag PLATED
5	SPRING PLATE	SUS	1	NATURAL
4	TERMINAL	BRASS STRIP	6	Ag PLATED
3	BASE	PHENOLIC RESIN	1	NATURAL
2	KNOB	POM	1	BLACK
1	FRAME	STEEL STRIP	1	Ni PLATED

THESE DRAWINGS AND SPECIFICATIONS ARE THE PROPERTY OF ACCURATE INNO TECH INC AND SHALL NOT BE REPRODUCED, COPIED OR USED IN ANY MANNER WITHOUT THE PRIOR WRITTEN CONSENT OF ACCURATE INNO TECH INC.

WITHIN 1.5mm: ±0.1mm	UNITS	mm	东莞市腾兴电子有限公司							
OVER 1.5mm: ±0.2mm	MAT'L									
	SEE NOTE		TITLE:	SLIDE SWITCH / HORIZONTAL			PART NO.:	SK-22D02		
	SEE NOTE		DR:	Ricky 2016/06/24			DWG NO.:	ADL-22D02		
	Q'TY		CHKD:	Ricky 2016/06/24			SCALE	SHEET	REV.	CUSTOMER
			APPD:				4:1	1/1	A	DRAWING