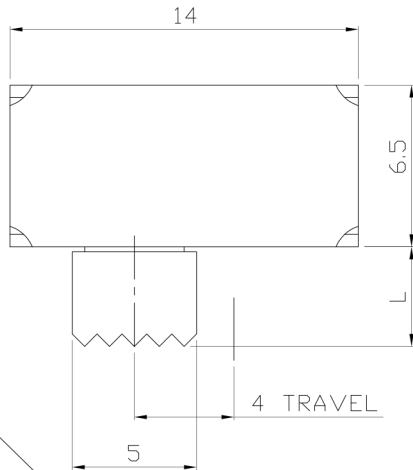




RoHS
Compliant
2002/95/EC

REV.	ECN.	NO.	APPD.

DIMENSIONS

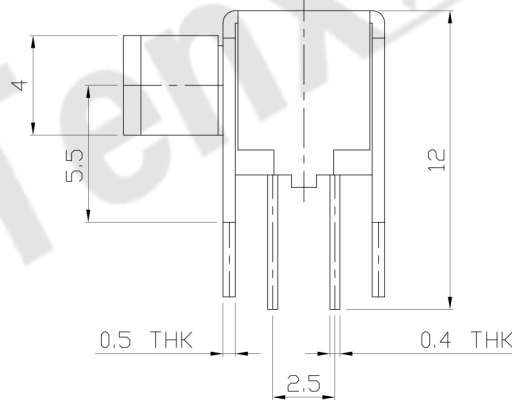
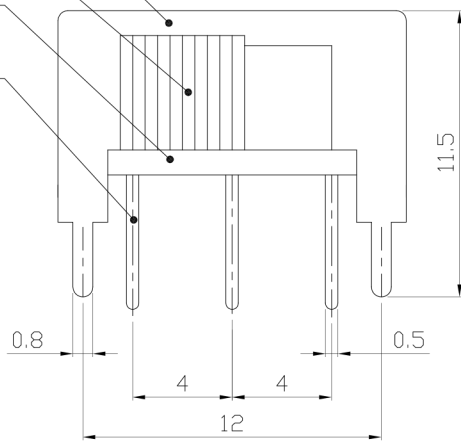


1
GEP Type

2

3

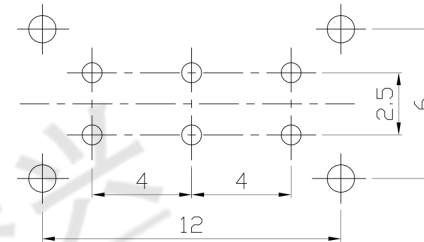
4



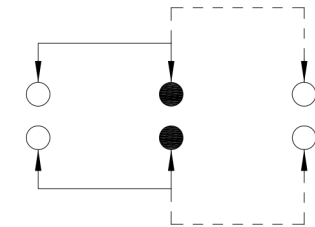
MODEL CODE

SK-22H09-GEP

Knob Type	L(mm)
GEP	~



P.C.B LAYOUT
BOTTOM VIEW



CIRCUIT DIAGRAM

ELECTRO-MECHANICAL CHARACTERISTICS

Refer to additional specifications

RATING	0.3A 50V DC
CIRCUIT	2P2T
CONTACT RESISTANCE	30mΩ MAX.
TIMING	SHORTING
TRAVEL	4mm
OPERATING FORCE	250±100gf
OPERATING LIFE(cycles)	10,000

8					WITHIN 1.5mm: ±0.1mm	UNITS	mm
7	STEEL BALL	SUS	1	NATURAL	OVER 1.5mm: ±0.2mm	MAT'L	
6	SPRING	SUS WIRE	1	NATURAL		SEE NOTE	
5	CLIP	PBS	2	Ag PLATED		FINISH	
4	TERMINAL	BRASS STRIP	6	Ag PLATED		SEE NOTE	
3	TERMINAL BASE	PHENOLIC RESIN	1	NATURAL		Q'TY	
2	COVER	MILD STEEL	1	Ni PLATED			
1	KNOB	POM	1	BLACK			
NO.	PARTS	MATERIAL	Q'TY	FINISHING			

THESE DRAWINGS AND SPECIFICATIONS ARE THE PROPERTY OF ACCURATE INNOVATECH INC AND SHALL NOT BE REPRODUCED, COPIED OR USED IN ANY MANNER WITHOUT THE PRIOR WRITTEN CONSENT OF ACCURATE INNOVATECH INC.

东莞市腾兴电子有限公司

TITLE:	SLIDE SWITCH / HORIZONTAL	PART NO.:	SK-22H09
DR:	Ricky 2016/08/11	DWG NO.:	AZJ-22H09
CHKD:	Ricky 2016/08/11	SCALE	3:1
APPD:		SHEET	1/1
		REV.	A
		CUSTOMER DRAWING	