



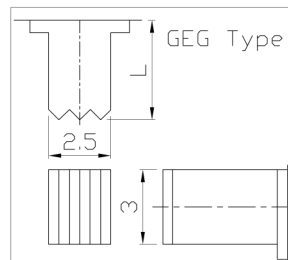
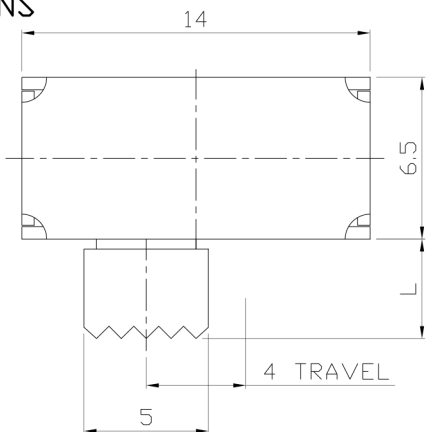
RoHS
Compliant
2002/95/EC

REV.	ECN. NO.	APPD.

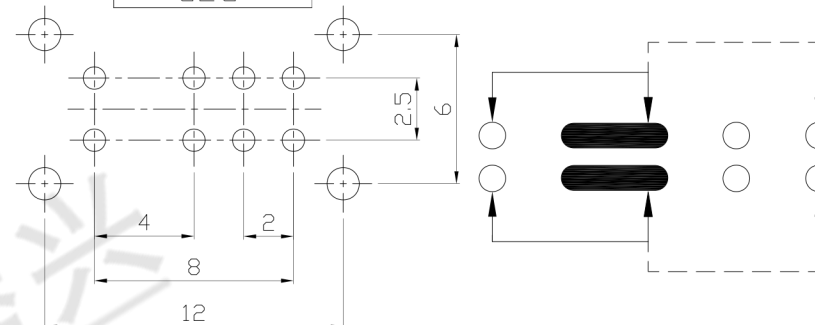
MODEL CODE

SK-22H11- GEP

DIMENSIONS

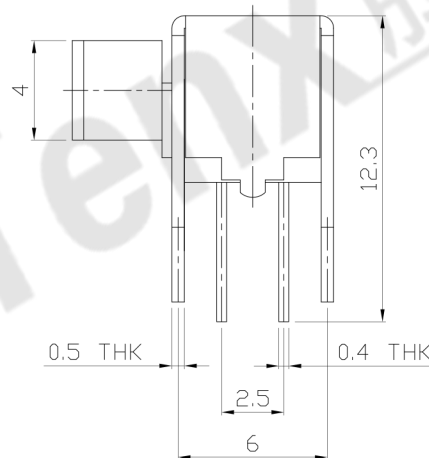
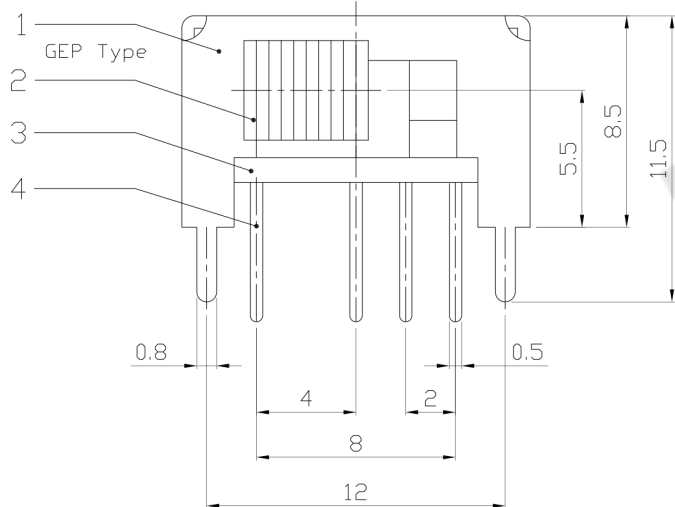


Knob Type	L(mm)
GEP	~
GEG	~



P.C.B LAYOUT
BOTTOM VIEW

CIRCUIT DIAGRAM



ELECTRO-MECHANICAL CHARACTERISTICS

Refer to additional specifications

RATING	0.3A 30V DC
CIRCUIT	2P2T
CONTACT RESISTANCE	30mΩ MAX.
TIMING	NON-SHORTING
TRAVEL	4mm
OPERATING FORCE	200±100gf
OPERATING LIFE(cycles)	10,000

NO.	PARTS	MATERIAL	Q'TY	FINISHING
8				
7	CONTACT CLIP	PBS C5210R-EH	2	Ag CLAD
6	SPRING	STEEL WIRE	1	NATURAL
5	STEEL BALL	STEEL	1	NATURAL
4	TERMINAL	BRASS STRIP	8	Ag PLATED OVER Ni PLATED
3	BASE	PHENOLIC RESIN	1	NATURAL
2	KNOB	POM	1	BLACK
1	FRAME	STEEL STRIP	1	Ni PLATED

THESE DRAWINGS AND SPECIFICATIONS ARE THE PROPERTY OF ACCURATE INNOVATECH INC AND SHALL NOT BE REPRODUCED, COPIED OR USED IN ANY MANNER WITHOUT THE PRIOR WRITTEN CONSENT OF ACCURATE INNOVATECH INC.

UNITS				mm			
WITHIN 1.5mm: ±0.1mm		OVER 1.5mm: ±0.2mm		MAT'L			
SEE NOTE		SEE NOTE		FINISH		SEE NOTE	
Q'TY		APPD:		TITLE: 东莞市腾兴电子有限公司			
				DR: Ricky 2015/12/16		PART NO.: SK-22H11	
				CHKD: Ricky 2015/12/16		DWG NO.: ADJ-22H11	
						SCALE	SHEET
						3:1	1/1
						REV.	CUSTOMER DRAWING
						A	