



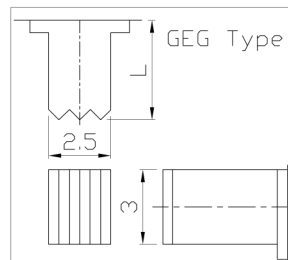
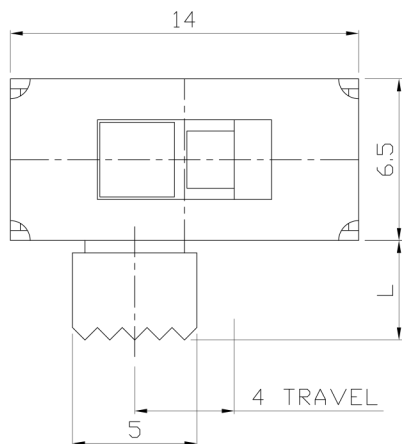
RoHS
Compliant
2002/95/EC

MODEL CODE

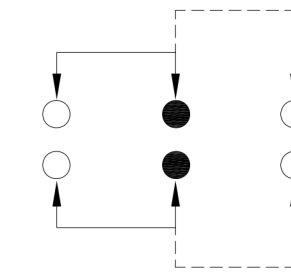
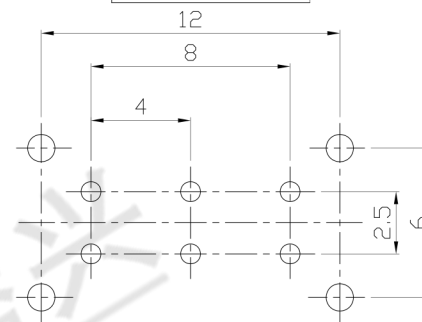
SK-22H19- GEP

REV.	ECN. NO.	APPD.

DIMENSIONS

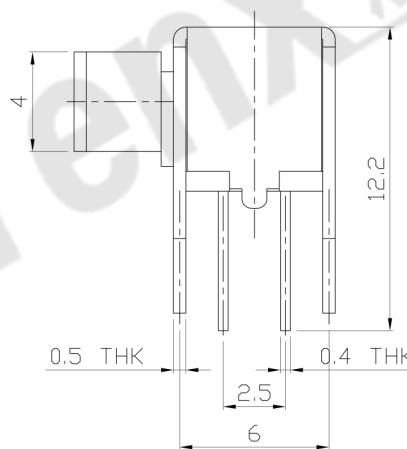
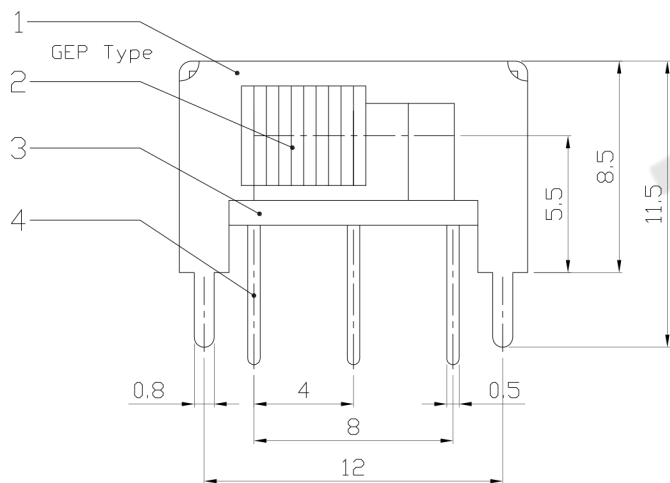


Knob Type	L(mm)
GEP	~
GEG	~



P.C.B LAYOUT
BOTTOM VIEW

CIRCUIT DIAGRAM



ELECTRO-MECHANICAL CHARACTERISTICS

Refer to additional specifications

RATING	0.3A 30V DC
CIRCUIT	2P2T
CONTACT RESISTANCE	30mΩ MAX.
TIMING	NON-SHORTING
TRAVEL	4mm
OPERATING FORCE	200±100gf
OPERATING LIFE(cycles)	10,000

NO.	PARTS	MATERIAL	Q'TY	FINISHING
8				WITHIN 1.5mm: ±0.1mm
7	STEEL BALL	STEEL	1	NATURAL
6	SPRING	STEEL WIRE	1	NATURAL
5	CONTACT CLIP	PBS C5210R-EH	2	Ag CLAD
4	TERMINAL	BRASS STRIP	6	Ag PLATED OVER Ni PLATED
3	BASE	PHENOLIC RESIN	1	NATURAL
2	KNOB	POM	1	BLACK
1	FRAME	STEEL STRIP	1	Ni PLATED
				OVER 1.5mm: ±0.2mm

THESE DRAWINGS AND SPECIFICATIONS ARE THE PROPERTY OF ACCURATE INNOVATION INC AND SHALL NOT BE REPRODUCED, COPIED OR USED IN ANY MANNER WITHOUT THE PRIOR WRITTEN CONSENT OF ACCURATE INNOVATION INC.

东莞市腾兴电子有限公司			
TITLE: SLIDE SWITCH / HORIZONTAL		PART NO.: SK-22H19	
DR: Ricky 2015/12/16		DWG NO.: ADJ-22H19	
CHKD: Ricky 2015/12/16		SCALE: 3:1	SHEET: 1/1
APPD:		REV.: A	CUSTOMER DRAWING