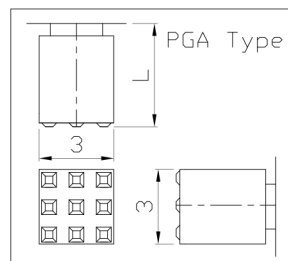
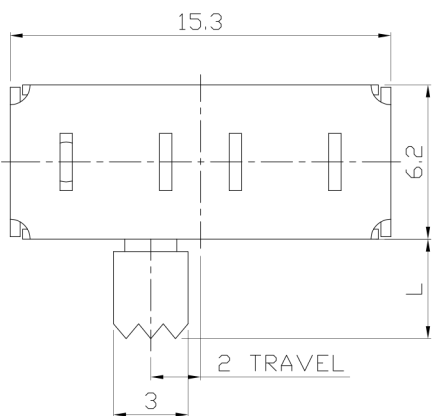




RoHS
Compliant
2002/95/EC

| | | |
|------|----------|-------|
| REV. | ECN. NO. | APPD. |
| | | |
| | | |

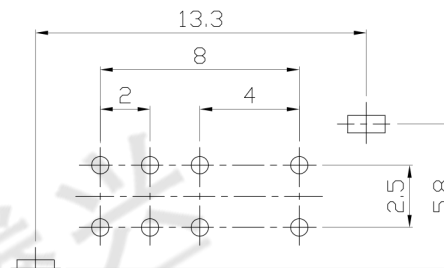
DIMENSIONS



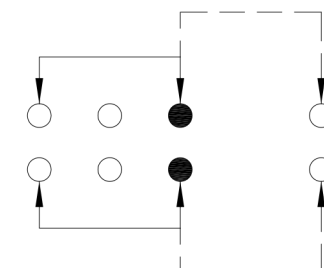
MODEL CODE

SK-22H26-GEI

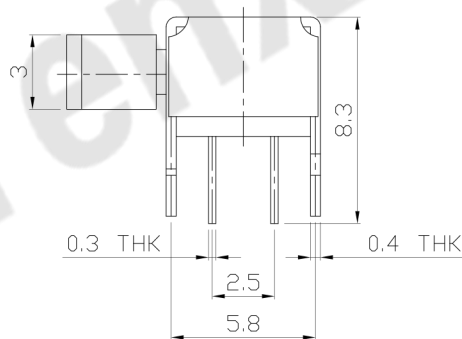
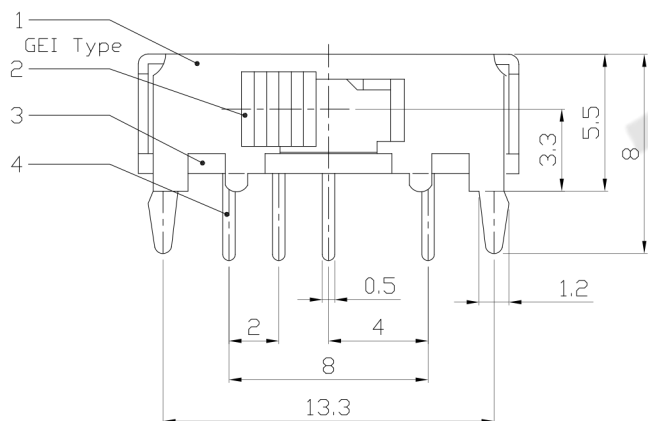
| | |
|-----------|-------|
| Knob Type | L(mm) |
| GEI | ~ |
| PGA | |



P.C.B LAYOUT
BOTTOM VIEW



CIRCUIT DIAGRAM



ELECTRO-MECHANICAL CHARACTERISTICS

Refer to additional specifications

| | |
|------------------------|--------------|
| RATING | 0.3A 50V DC |
| CIRCUIT | 2P2T |
| CONTACT RESISTANCE | 100mΩ MAX. |
| TIMING | NON-SHORTING |
| TRAVEL | 2mm |
| OPERATING FORCE | 200±100gf |
| OPERATING LIFE(cycles) | 10,000 |

| | | | | | | | |
|-----|--------------|----------------|------|-----------|----------------------|----------|---|
| 8 | | | | | | | |
| 7 | | | | | | | |
| 6 | SPRING PLATE | PBS STRIP | 1 | NATURAL | WITHIN 1.5mm: ±0.1mm | UNITS | 东莞市腾兴电子有限公司 TITLE: SLIDE SWITCH / HORIZONTAL PART NO.: SK-22H26 DR: Ricky 2016/06/23 DWG NO.: ADL-22H26 SCALE: 3:1 SHEET: 1/1 REV: A CUSTOMER DRAWING |
| 5 | CONTACT CLIP | PBS STRIP | 2 | Ag PLATED | OVER 1.5mm: ±0.2mm | MAT'L | |
| 4 | TERMINAL | BRASS STRIP | 8 | Ag PLATED | | SEE NOTE | |
| 3 | BASE | PHENOLIC RESIN | 1 | NATURAL | | FINISH | |
| 2 | KNOB | POM | 1 | BLACK | | SEE NOTE | |
| 1 | FRAME | STEEL STRIP | 1 | Ni PLATED | | Q'TY | |
| NO. | PARTS | MATERIAL | Q'TY | FINISHING | | | |

THESE DRAWINGS AND SPECIFICATIONS ARE THE PROPERTY OF ACCURATE INNO TECH INC AND SHALL NOT BE REPRODUCED, COPIED OR USED IN ANY MANNER WITHOUT THE PRIOR WRITTEN CONSENT OF ACCURATE INNO TECH INC.

