



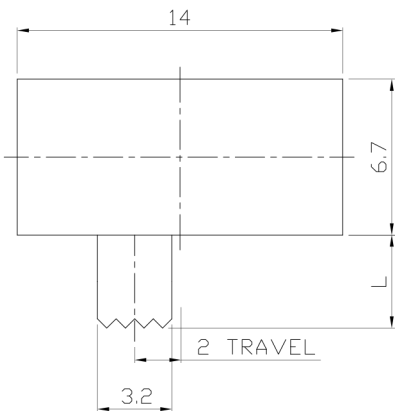
**RoHS Compliant**  
2002/95/EC

MODEL CODE

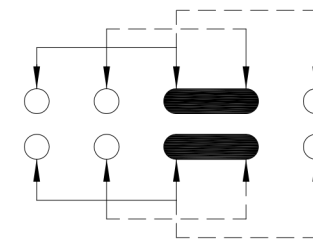
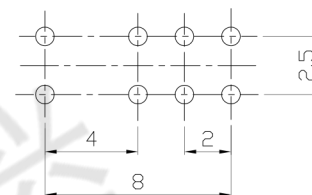
SK-23D01- GFN

REV.	ECN. NO.	APPD.

**DIMENSIONS**



Knob Type	L(mm)
GFN	~

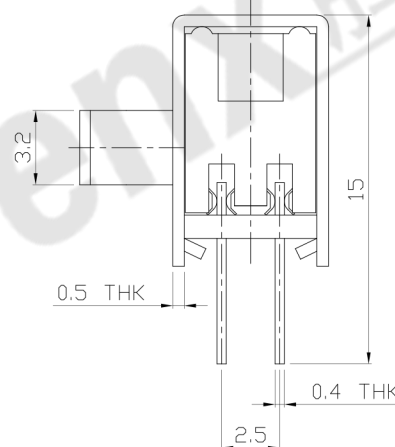
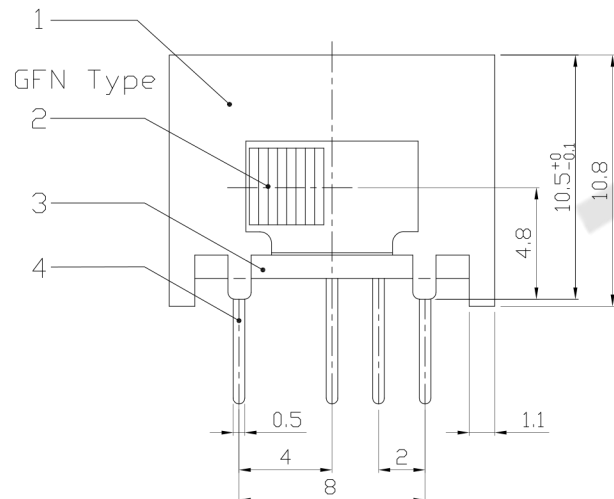


P.C.B LAYOUT  
BOTTOM VIEW

CIRCUIT DIAGRAM

**ELECTRO-MECHANICAL CHARACTERISTICS**  
Refer to additional specifications

RATING	0.3A 50V DC
CIRCUIT	2P3T
CONTACT RESISTANCE	100mΩ MAX.
TIMING	NON-SHORTING
TRAVEL	2mm
OPERATING FORCE	250±100gf
OPERATING LIFE(cycles)	10,000



NO.	PARTS	MATERIAL	Q'TY	FINISHING
8				WITHIN 1.5mm: ±0.1mm
7	STEEL BALL	STEEL	1	NATURAL
6	SPRING	STEEL WIRE	1	NATURAL
5	CONTACT CLIP	PBS STRIP	2	Ag PLATED
4	TERMINAL	BRASS STRIP	8	Ag PLATED
3	BASE	PHENOLIC RESIN	1	NATURAL
2	KNOB	POM	1	BLACK
1	FRAME	STEEL STRIP	1	Ni PLATED
				OVER 1.5mm: ±0.2mm
				UNITS mm
				MAT'L
				SEE NOTE
				FINISH
				SEE NOTE
				Q'TY
				SEE NOTE

THESE DRAWINGS AND SPECIFICATIONS ARE THE PROPERTY OF ACCURATE INNO TECH INC AND SHALL NOT BE REPRODUCED, COPIED OR USED IN ANY MANNER WITHOUT THE PRIOR WRITTEN CONSENT OF ACCURATE INNO TECH INC.

**东莞市腾兴电子有限公司**

TITLE: SLIDE SWITCH / HORIZONTAL	PART NO.: SK-23D01
DR: <i>Ricky</i> 2016/07/11	DWG NO.: ADL-23D01
CHKD: <i>Ricky</i> 2016/07/11	SCALE SHEET REV. CUSTOMER 3:1 1/1 A DRAWING
APPD:	