



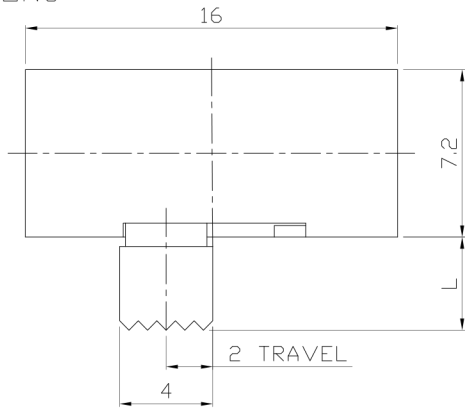
RoHS Compliant
2002/95/EC

REV.	ECN.	NO.	APPD.

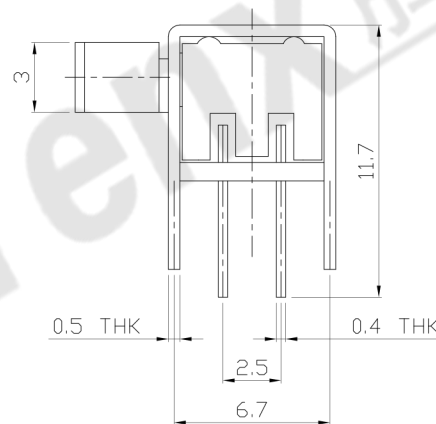
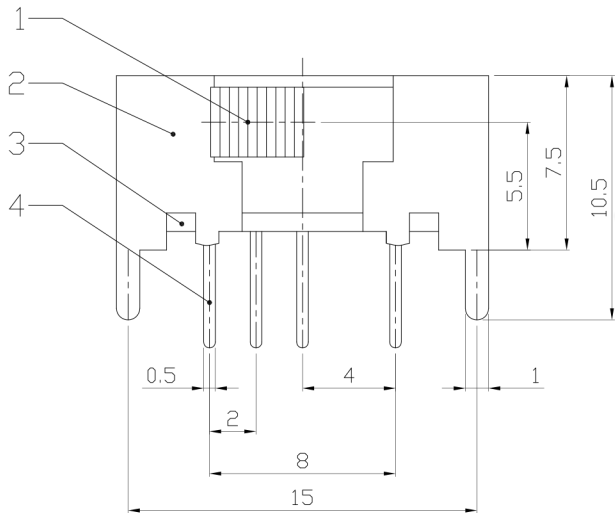
MODEL CODE

SK-23D05-GBP

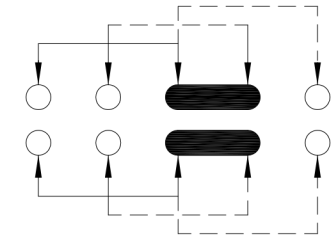
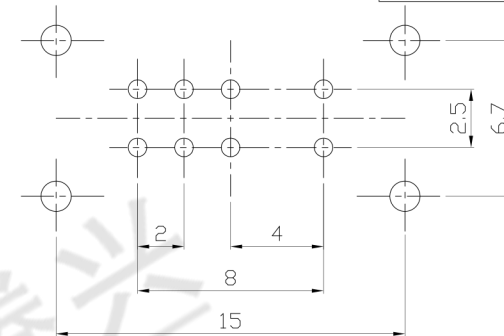
DIMENSIONS



GBP Type



Knob Type	L(mm)
GBP	~



P.C.B LAYOUT
BOTTOM VIEW

CIRCUIT DIAGRAM

ELECTRO-MECHANICAL CHARACTERISTICS
Refer to additional specifications

RATING	0.3A 50V DC
CIRCUIT	2P3T
CONTACT RESISTANCE	100mΩ MAX.
TIMING	SHORTING
TRAVEL	2mm
OPERATING FORCE	250±100gf
OPERATING LIFE(cycles)	10,000

NO.	PARTS	MATERIAL	Q'TY	FINISHING	UNITS	mm
8					WITHIN 1.5mm: ±0.1mm	
7	CONTACT CLIP	PBS STRIP	2	Ag PLATED	OVER 1.5mm: ±0.2mm	MAT'L
6	SPRING	STEEL WIRE	1	NATURAL		SEE NOTE
5	STEEL BALL	STEEL	1	NATURAL		FINISH
4	TERMINAL	BRASS STRIP	8	Ag PLATED		SEE NOTE
3	BASE	PHENOLIC RESIN	1	NATURAL		Q'TY
2	FRAME	STEEL STRIP	1	Ni PLATED		
1	KNOB	POM	1	BLACK		

THESE DRAWINGS AND SPECIFICATIONS ARE THE PROPERTY OF ACCURATE INNOTECH INC AND SHALL NOT BE REPRODUCED, COPIED OR USED IN ANY MANNER WITHOUT THE PRIOR WRITTEN CONSENT OF ACCURATE INNOTECH INC.

东莞市腾兴电子有限公司

TITLE: SLIDE SWITCH / HORIZONTAL	PART NO.: SK-23D05
DR: <i>Ricky</i> 2016/07/11	DWG NO.: ADL-23D05
CHKD: <i>Ricky</i> 2016/07/11	SCALE SHEET REV. CUSTOMER 3:1 1/1 A DRAWING
APPD:	