



RoHS Compliant
2002/95/EC

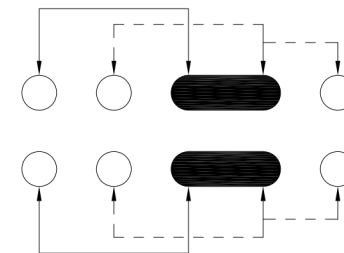
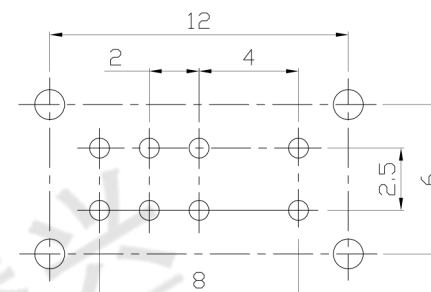
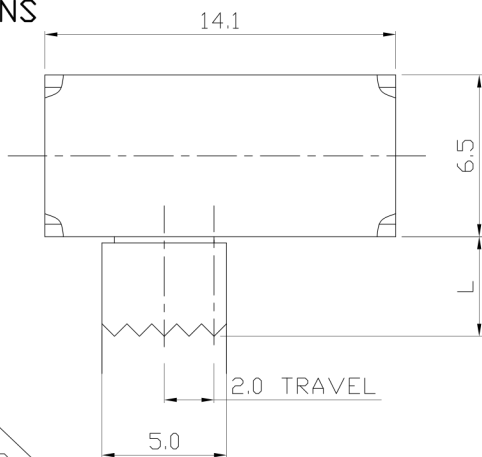
REV.	ECN.	NO.	APPD.

MODEL CODE

SK-23D09-GEP

Knob Type	L(mm)
GEP	~

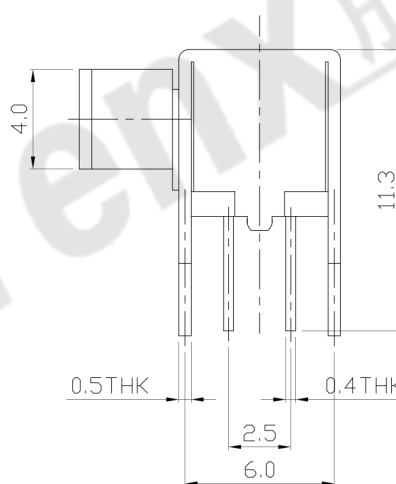
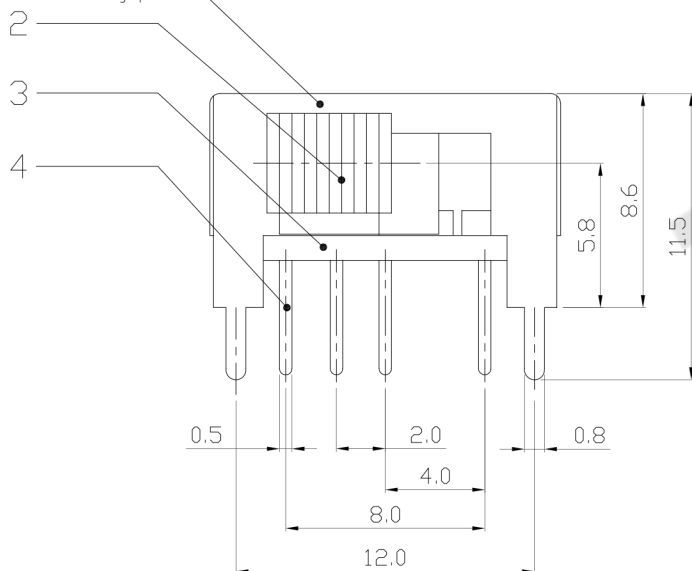
DIMENSIONS



P.C.B LAYOUT
BOTTOM VIEW

CIRCUIT DIAGRAM

1 GEP Type



ELECTRO-MECHANICAL CHARACTERISTICS

Refer to additional specifications

RATING	0.3A 50V DC
CIRCUIT	2P3T
CONTACT RESISTANCE	30mΩ MAX.
TIMING	SHORTING
TRAVEL	2mm
OPERATING FORCE	250±100gf
OPERATING LIFE(cycles)	10,000

8					WITHIN 1.5mm: ±0.1mm	UNITS mm
7	STEEL BALL	SUS	1	NATURAL	OVER 1.5mm: ±0.2mm	MAT'L
6	SPRING	SUS WIRE	1	NATURAL		SEE NOTE
5	CLIP	PBS	2	Ag PLATED		FINISH
4	TERMINAL	BRASS STRIP	6	Ag PLATED		SEE NOTE
3	TERMINAL BASE	PHENOLIC RESIN	1	NATURAL		Q'TY
2	KNOB	PDM	1	BLACK		
1	COVER	MILD STEEL	1	Ni PLATED		
NO.	PARTS	MATERIAL	Q'TY	FINISHING		

THESE DRAWINGS AND SPECIFICATIONS ARE THE PROPERTY OF ACCURATE INNOVATION INC AND SHALL NOT BE REPRODUCED, COPIED OR USED IN ANY MANNER WITHOUT THE PRIOR WRITTEN CONSENT OF ACCURATE INNOVATION INC.



东莞市腾兴电子有限公司

TITLE:	SLIDE SWITCH / HORIZONTAL	PART NO.:	SK-23D09
DR:	Ricky 2016/08/11	DWG NO.:	AZJ-23D09
CHKD:	Ricky 2016/08/11	SCALE	SHEET
APPD:		3:1	1/1
		REV.	CUSTOMER DRAWING
		A	