



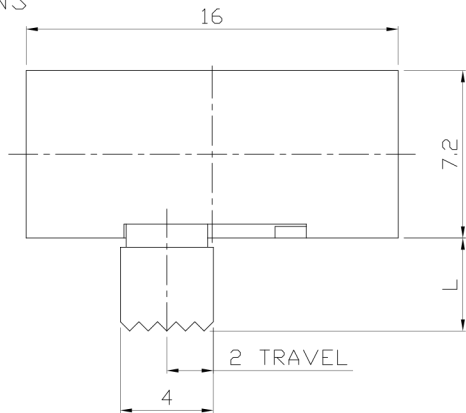
RoHS Compliant
2002/95/EC

MODEL CODE

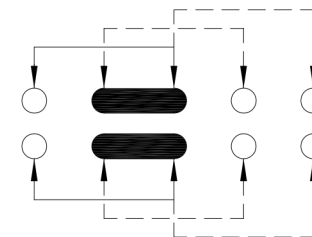
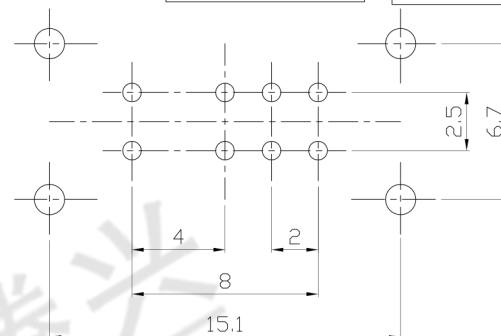
SK-23D25-GBP

REV.	ECN. NO.	APPD.

DIMENSIONS



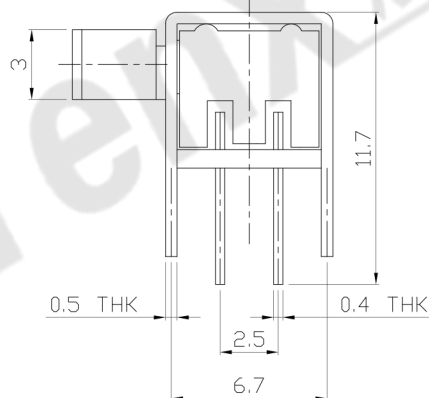
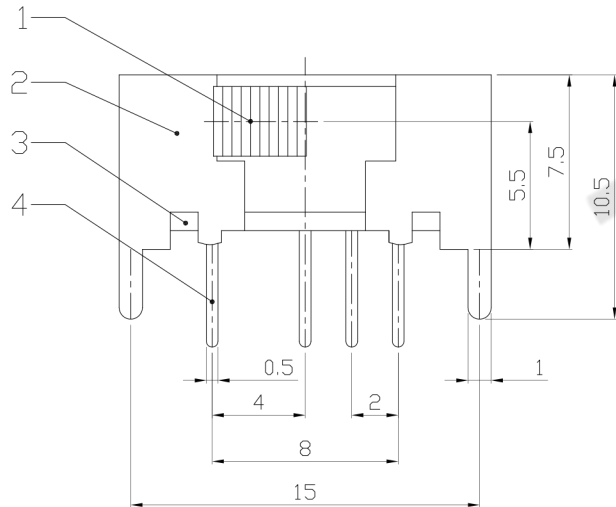
Knob Type	L(mm)
GBP	~



P.C.B LAYOUT
BOTTOM VIEW

CIRCUIT DIAGRAM

GBP Type



ELECTRO-MECHANICAL CHARACTERISTICS
Refer to additional specifications

RATING	0.3A 50V DC
CIRCUIT	2P3T
CONTACT RESISTANCE	100mΩ MAX.
TIMING	SHORTING
TRAVEL	2mm
OPERATING FORCE	250±100gf
OPERATING LIFE(cycles)	10,000

NO.	PARTS	MATERIAL	Q'TY	FINISHING
8				
7	CONTACT CLIP	PBS STRIP	2	Ag PLATED
6	SPRING	STEEL WIRE	1	NATURAL
5	STEEL BALL	STEEL	1	NATURAL
4	TERMINAL	BRASS STRIP	8	Ag PLATED
3	BASE	PHENOLIC RESIN	1	NATURAL
2	FRAME	STEEL STRIP	1	Ni PLATED
1	KNOB	POM	1	BLACK
NO.	PARTS	MATERIAL	Q'TY	FINISHING

WITHIN 1.5mm: ±0.1mm
OVER 1.5mm: ±0.2mm

UNITS mm

MAT'L

SEE NOTE

FINISH

SEE NOTE

Q'TY

THESE DRAWINGS AND SPECIFICATIONS ARE THE PROPERTY OF ACCURATE INNOTECH INC AND SHALL NOT BE REPRODUCED, COPIED OR USED IN ANY MANNER WITHOUT THE PRIOR WRITTEN CONSENT OF ACCURATE INNOTECH INC.

东莞市腾兴电子有限公司

TITLE:	SLIDE SWITCH / HORIZONTAL	PART NO.:	SK-23D25
DR:	Ricky 2016/07/11	DWG NO.:	ADL-23D25
CHKD:	Ricky 2016/07/11	SCALE	3:1
APPD:		SHEET	1/1
		REV.	A
		CUSTOMER DRAWING	