



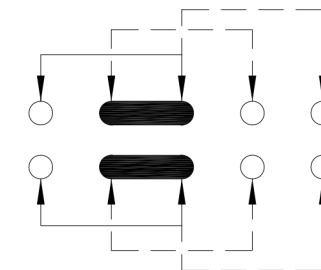
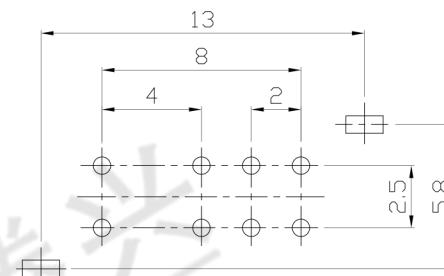
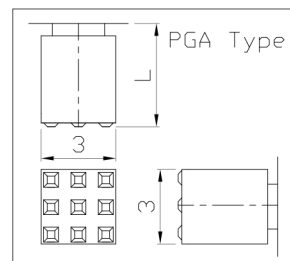
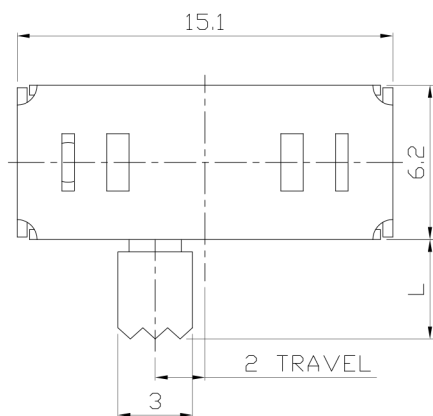
**RoHS Compliant**  
2002/95/EC

| REV. | ECN. NO. | APPD. |
|------|----------|-------|
|      |          |       |
|      |          |       |

MODEL CODE

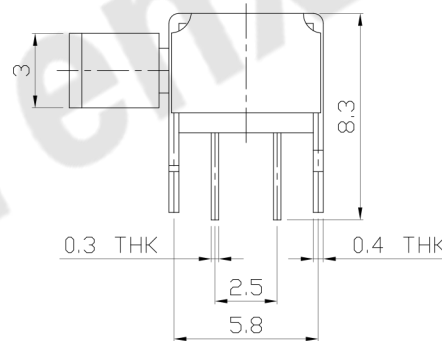
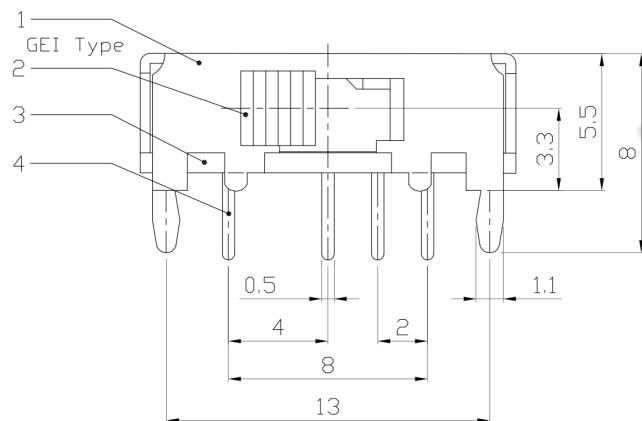
SK-23D26-GEI

**DIMENSIONS**



P.C.B LAYOUT  
BOTTOM VIEW

CIRCUIT DIAGRAM



**ELECTRO-MECHANICAL CHARACTERISTICS**

Refer to additional specifications

|                        |             |
|------------------------|-------------|
| RATING                 | 0.3A 50V DC |
| CIRCUIT                | 2P3T        |
| CONTACT RESISTANCE     | 100mΩ MAX.  |
| TIMING                 | SHORTING    |
| TRAVEL                 | 2mm         |
| OPERATING FORCE        | 250±100gf   |
| OPERATING LIFE(cycles) | 10,000      |

|     |              |                |      |           |                      |          |    |
|-----|--------------|----------------|------|-----------|----------------------|----------|----|
| 8   |              |                |      |           | WITHIN 1.5mm: ±0.1mm | UNITS    | mm |
| 7   |              |                |      |           | OVER 1.5mm: ±0.2mm   | MAT'L    |    |
| 6   | SPRING PLATE | SUS            | 1    | NATURAL   |                      | SEE NOTE |    |
| 5   | CONTACT CLIP | PBS STRIP      | 2    | Ag PLATED |                      |          |    |
| 4   | TERMINAL     | BRASS STRIP    | 8    | Ag PLATED |                      | FINISH   |    |
| 3   | BASE         | PHENOLIC RESIN | 1    | NATURAL   |                      | SEE NOTE |    |
| 2   | KNOB         | POM            | 1    | BLACK     |                      | Q'TY     |    |
| 1   | FRAME        | STEEL STRIP    | 1    | Ni PLATED |                      |          |    |
| NO. | PARTS        | MATERIAL       | Q'TY | FINISHING |                      |          |    |

THESE DRAWINGS AND SPECIFICATIONS ARE THE PROPERTY OF ACCURATE INNO TECH INC AND SHALL NOT BE REPRODUCED, COPIED OR USED IN ANY MANNER WITHOUT THE PRIOR WRITTEN CONSENT OF ACCURATE INNO TECH INC.



**东莞市腾兴电子有限公司**

|        |                           |                  |           |
|--------|---------------------------|------------------|-----------|
| TITLE: | SLIDE SWITCH / HORIZONTAL | PART NO.:        | SK-23D26  |
| DR:    | Ricky 2016/07/11          | DWG NO.:         | ADL-23D26 |
| CHKD:  | Ricky 2016/07/11          | SCALE            | 3:1       |
| APPD:  |                           | SHEET            | 1/1       |
|        |                           | REV.             | A         |
|        |                           | CUSTOMER DRAWING |           |