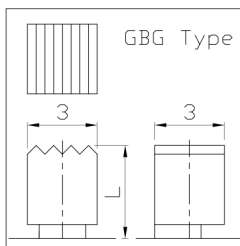
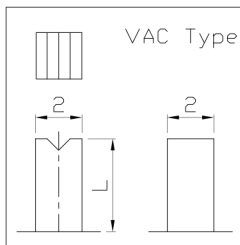
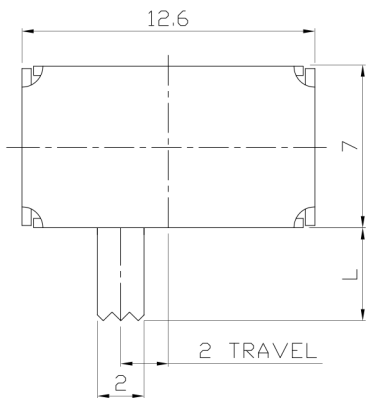




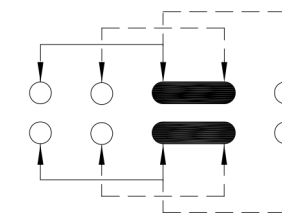
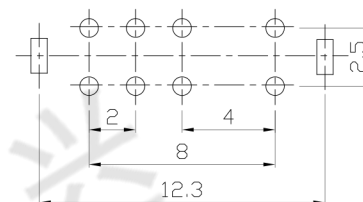
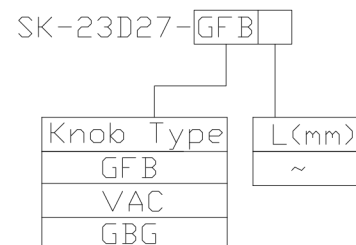
RoHS Compliant
2002/95/EC

REV.	ECN.	NO.	APPD.

DIMENSIONS



MODEL CODE

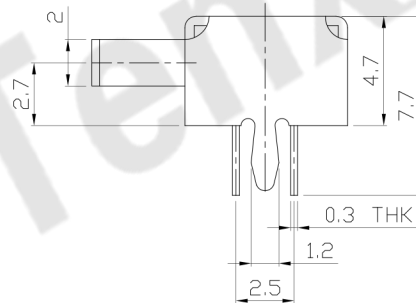
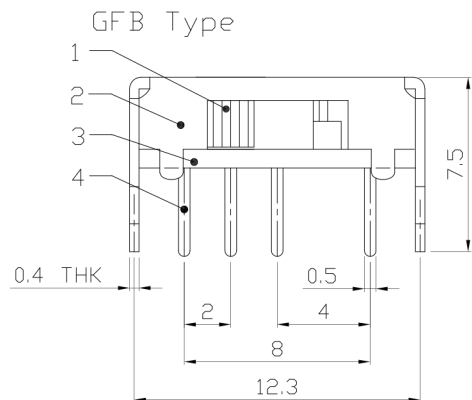


P.C.B LAYOUT
BOTTOM VIEW

CIRCUIT DIAGRAM

ELECTRO-MECHANICAL CHARACTERISTICS
Refer to additional specifications

RATING	0.3A 50V DC
CIRCUIT	2P3T
CONTACT RESISTANCE	100mΩ MAX.
TIMING	NON-SHORTING
TRAVEL	2mm
OPERATING FORCE	250±100gf
OPERATING LIFE(cycles)	10,000



8						
7						
6	SPRING PLATE	PBS STRIP	1	NATURAL	WITHIN 1.5mm: ±0.1mm	UNITS mm
5	CONTACT CLIP	PBS STRIP	2	Ag PLATED	OVER 1.5mm: ±0.2mm	MAT'L
4	TERMINAL	BRASS STRIP	8	Ag PLATED		SEE NOTE
3	BASE	PHENOLIC RESIN	1	NATURAL		FINISH
2	FRAME	STEEL STRIP	1	Ni PLATED		SEE NOTE
1	KNOB	POM	1	BLACK		Q'TY
NO.	PARTS	MATERIAL	Q'TY	FINISHING		

THESE DRAWINGS AND SPECIFICATIONS ARE THE PROPERTY OF ACCURATE INNO TECH INC AND SHALL NOT BE REPRODUCED, COPIED OR USED IN ANY MANNER WITHOUT THE PRIOR WRITTEN CONSENT OF ACCURATE INNO TECH INC.

东莞市腾兴电子有限公司			
TITLE:	SLIDE SWITCH / HORIZONTAL	PART NO.:	SK-23D27
DR:	Ricky 2016/07/12	DWG NO.:	ADL-23D27
CHKD:	Ricky 2016/07/12	SCALE	SHEET
APPD:		7:2	1/1
		REV.	A
		CUSTOMER DRAWING	