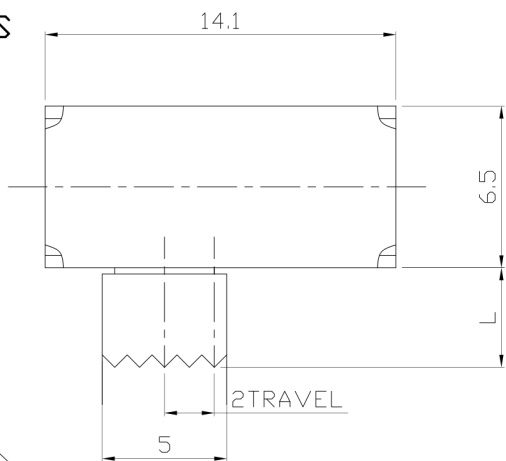




RoHS Compliant
2002/95/EC

REV.	ECN.	NO.	APPD.

DIMENSIONS

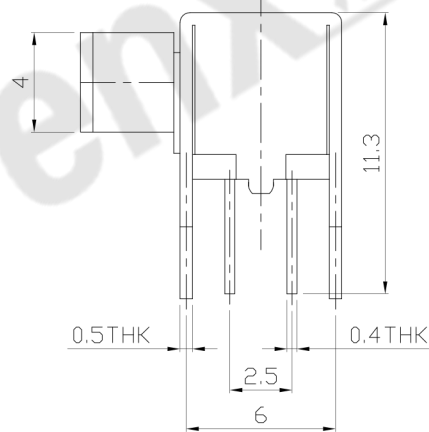
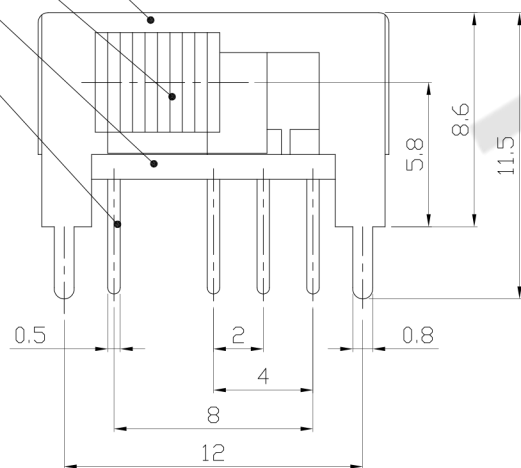


1
GEP Type

2

3

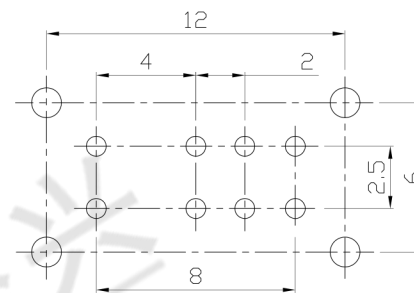
4



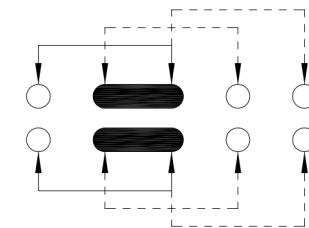
MODEL CODE

SK-23D29-GEP

Knob Type	L(mm)
GEP	~



P.C.B LAYOUT
BOTTOM VIEW



CIRCUIT DIAGRAM

ELECTRO-MECHANICAL CHARACTERISTICS

Refer to additional specifications

RATING	0.3A 50V DC
CIRCUIT	2P3T
CONTACT RESISTANCE	30mΩ MAX.
TIMING	SHORTING
TRAVEL	2mm
OPERATING FORCE	250±100gf
OPERATING LIFE(cycles)	10,000

8						
7	SPRING	SUS WIRE	1	NATURAL	WITHIN 1.5mm: ±0.1mm	UNITS mm
6	SUS BALL	SUS	1	NATURAL	OVER 1.5mm: ±0.2mm	MAT'L
5	CONTACT	PBS	2	Ag PLATED		SEE NOTE
4	TERMINAL	BRASS STRIP	1	Ag PLATED		FINISH
3	TERMINAL BASE	PHENOLIC RESIN	1	NATURAL		SEE NOTE
2	KNOB	PDM	1	BLACK		Q'TY
1	COVER	MILD STEEL	1	Ni PLATED		
NO.	PARTS	MATERIAL	Q'TY	FINISHING		

THESE DRAWINGS AND SPECIFICATIONS ARE THE PROPERTY OF ACCURATE INNOVATECH INC AND SHALL NOT BE REPRODUCED, COPIED OR USED IN ANY MANNER WITHOUT THE PRIOR WRITTEN CONSENT OF ACCURATE INNOVATECH INC.



东莞市腾兴电子有限公司

TITLE:	SLIDE SWITCH / HORIZONTAL	PART NO.:	SK-23D29
DR:	Ricky 2016/08/11	DWG NO.:	AZJ-23D29
CHKD:	Ricky 2016/08/11	SCALE	3:1
APPD:		SHEET	1/1
		REV.	A
		CUSTOMER DRAWING	