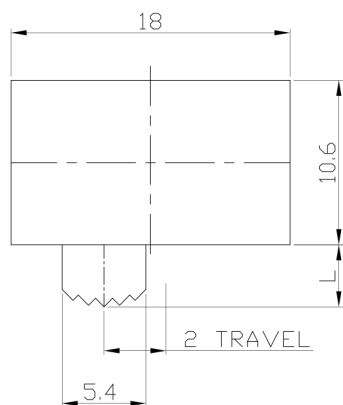




**RoHS Compliant**  
2002/95/EC

REV.	ECN.	NO.	APPD.

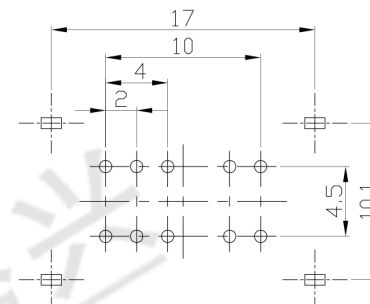
**DIMENSIONS**



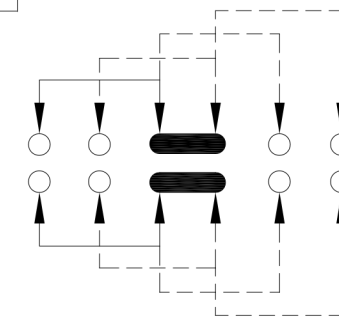
**MODEL CODE**

SK-24D01-GDB

Knob Type	L(mm)
GDB	~



P.C.B LAYOUT  
BOTTOM VIEW



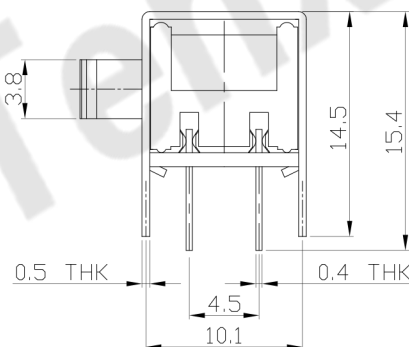
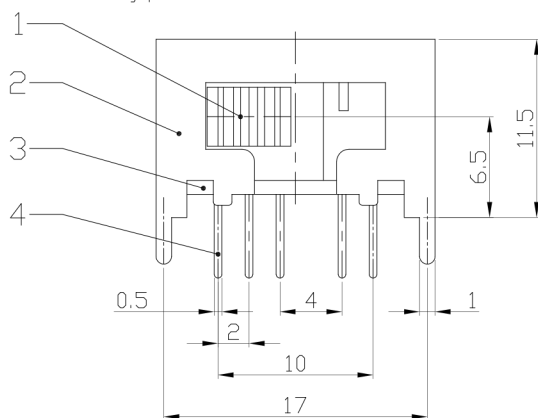
CIRCUIT DIAGRAM

**ELECTRO-MECHANICAL CHARACTERISTICS**

Refer to additional specifications

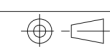
RATING	0.3A 50V DC
CIRCUIT	2P4T
CONTACT RESISTANCE	100mΩ MAX.
TIMING	SHORTING
TRAVEL	2mm
OPERATING FORCE	250±100gf
OPERATING LIFE(cycles)	10,000

**GDB Type**



8					WITHIN 1.5mm: ±0.1mm	UNITS mm
7	STEEL BALL	STEEL	1	NATURAL	OVER 1.5mm: ±0.2mm	MAT'L
6	SPRING	STEEL WIRE	1	NATURAL		SEE NOTE
5	CONTACT CLIP	PBS STRIP	2	Ag PLATED		FINISH
4	TERMINAL	BRASS STRIP	10	Ag PLATED		SEE NOTE
3	BASE	PHENOLIC RESIN	1	NATURAL		Q'TY
2	FRAME	STEEL STRIP	1	Ni PLATED		
1	KNOB	PDM	1	BLACK		
NO.	PARTS	MATERIAL	Q'TY	FINISHING		

THESE DRAWINGS AND SPECIFICATIONS ARE THE PROPERTY OF ACCURATE INNO TECH INC AND SHALL NOT BE REPRODUCED, COPIED OR USED IN ANY MANNER WITHOUT THE PRIOR WRITTEN CONSENT OF ACCURATE INNO TECH INC.



**东莞市腾兴电子有限公司**

TITLE:	SLIDE SWITCH / HORIZONTAL	PART NO.:	SK-24D01
DR:	Ricky 2016/07/14	DWG NO.:	ADL-24D01
CHKD:	Ricky 2016/07/14	SCALE	2:1
APPD:		SHEET	1/1
		REV.	A
		CUSTOMER DRAWING	