



RoHS Compliant
2002/95/EC

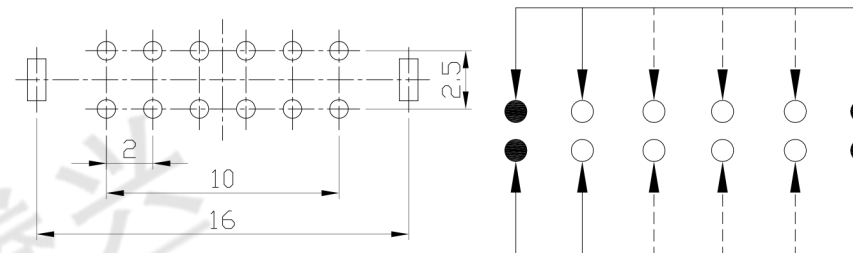
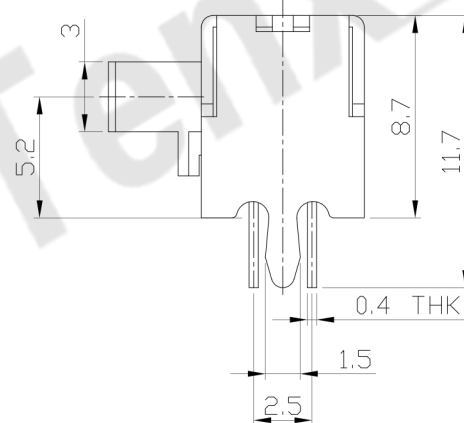
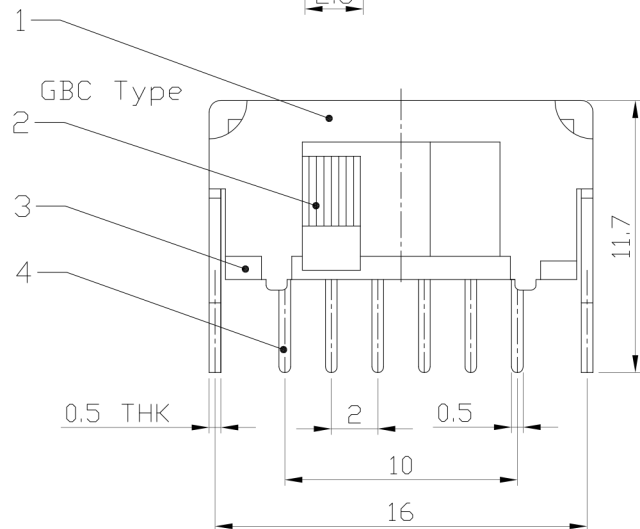
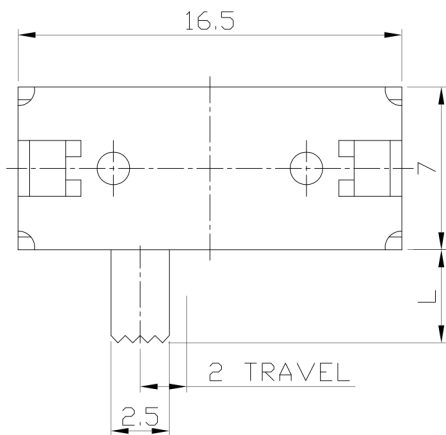
REV.	ECN.	NO.	APPD.

MODEL CODE

SK-24D03-GBC

Knob Type	L(mm)
GBC	~

DIMENSIONS



P.C.B LAYOUT
BOTTOM VIEW

CIRCUIT DIAGRAM

ELECTRO-MECHANICAL CHARACTERISTICS
Refer to additional specifications

RATING	0.3A 50V DC
CIRCUIT	2P4T
CONTACT RESISTANCE	100mΩ MAX.
TIMING	NON-SHORTING
TRAVEL	2mm
OPERATING FORCE	500±150gf
OPERATING LIFE(cycles)	10,000

8					WITHIN 1.5mm: ±0.1mm	UNITS	mm	东莞市腾兴电子有限公司 TITLE: SLIDE SWITCH / HORIZONTAL PART NO.: SK-24D03 DR: Ricky 2016/07/15 DWG NO.: ADL-24D03 CHKD: Ricky 2016/07/15 APPD: SCALE: 3:1 SHEET: 1/1 REV: A CUSTOMER DRAWING
7					OVER 1.5mm: ±0.2mm	MAT'L		
6	SPRING PLATE	SUS	1	NATURAL		SEE NOTE		
5	CONTACT CLIP	PBS STRIP	2	Ag PLATED				
4	TERMINAL	BRASS STRIP	12	Ag PLATED				
3	BASE	PHENOLIC RESIN	1	NATURAL		FINISH		
2	KNOB	POM	1	BLACK		SEE NOTE		
1	FRAME	STEEL STRIP	1	Ni PLATED		Q'TY		
NO.	PARTS	MATERIAL	Q'TY	FINISHING				

THESE DRAWINGS AND SPECIFICATIONS ARE THE PROPERTY OF ACCURATE INNOTECH INC AND SHALL NOT BE REPRODUCED, COPIED OR USED IN ANY MANNER WITHOUT THE PRIOR WRITTEN CONSENT OF ACCURATE INNOTECH INC.

