



RoHS  
Compliant  
2002/95/EC

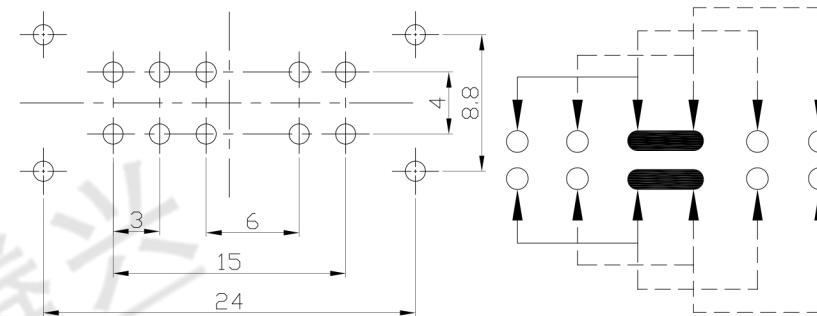
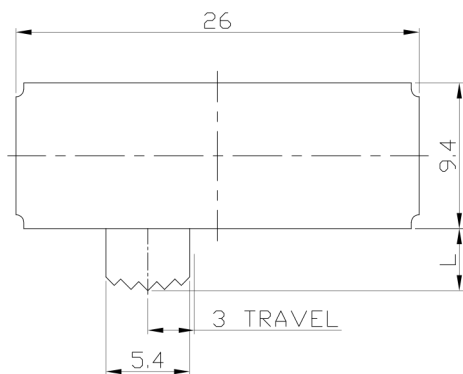
REV.	ECN.	NO.	APPD.

MODEL CODE

SK-24F01-GDB

Knob Type	L(mm)
GDB	~

DIMENSIONS

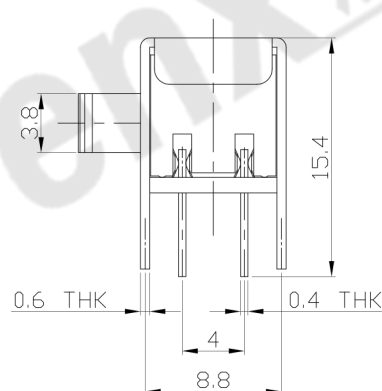
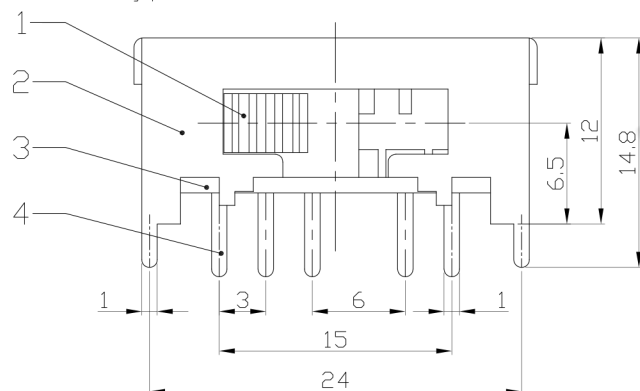


P.C.B LAYOUT

BOTTOM VIEW

CIRCUIT DIAGRAM

GDB Type



ELECTRO-MECHANICAL CHARACTERISTICS

Refer to additional specifications

RATING	0.3A 50V DC
CIRCUIT	2P4T
CONTACT RESISTANCE	100mΩ MAX.
TIMING	SHORTING
TRAVEL	3mm
OPERATING FORCE	200±100gf
OPERATING LIFE(cycles)	10,000

NO.	PARTS	MATERIAL	Q'TY	FINISHING
8				
7	STEEL BALL	STEEL	1	NATURAL
6	SPRING	STEEL WIRE	1	NATURAL
5	CONTACT CLIP	PBS STRIP	2	Ag PLATED
4	TERMINAL	BRASS STRIP	10	Ag PLATED
3	BASE	PHENOLIC RESIN	1	BLACK
2	FRAME	STEEL STRIP	1	Ni PLATED
1	KNOB	POM	1	BLACK
NO.	PARTS	MATERIAL	Q'TY	FINISHING

WITHIN 1.5mm: ±0.1mm  
OVER 1.5mm: ±0.2mm

THESE DRAWINGS AND SPECIFICATIONS ARE THE PROPERTY OF ACCURATE INNOTECH INC AND SHALL NOT BE REPRODUCED, COPIED OR USED IN ANY MANNER WITHOUT THE PRIOR WRITTEN CONSENT OF ACCURATE INNOTECH INC.

UNITS mm			
MAT'L SEE NOTE			
FINISH SEE NOTE			
Q'TY			
<p>东莞市腾兴电子有限公司</p>		<p>TITLE: SLIDE SWITCH / HORIZONTAL</p>	
<p>DR: Ricky 2016/07/14</p>		<p>PART NO.: SK-24F01</p>	
<p>CHKD: Ricky 2016/07/14</p>		<p>DWG NO.: ADL-24F01</p>	
APPD:	SCALE	SHEET	REV.
	2:1	1/1	A
			CUSTOMER DRAWING