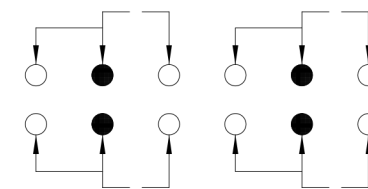
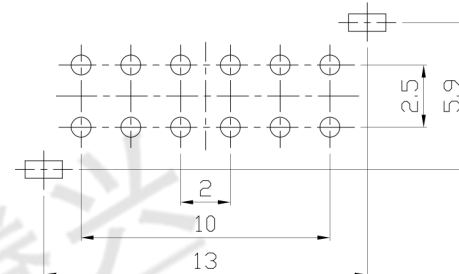
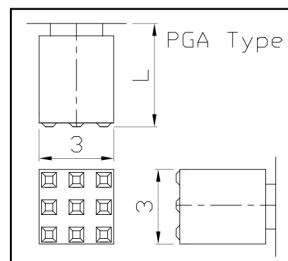
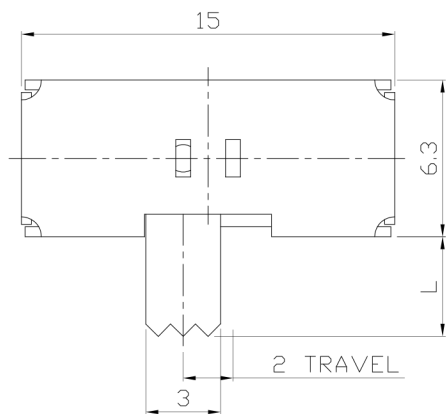




**RoHS Compliant**  
2002/95/EC

|      |      |     |       |
|------|------|-----|-------|
| REV. | ECN. | NO. | APPD. |
|      |      |     |       |
|      |      |     |       |

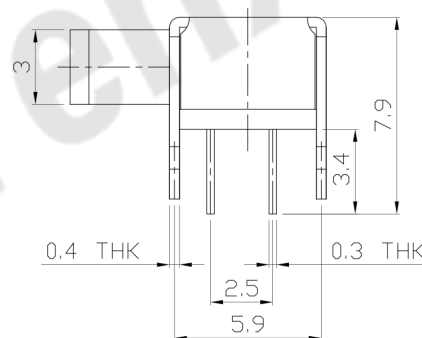
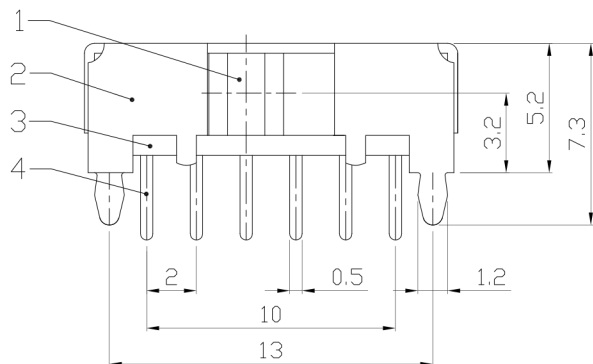
### DIMENSIONS



P.C.B LAYOUT  
BOTTOM VIEW

CIRCUIT DIAGRAM

### GEI Type



### ELECTRO-MECHANICAL CHARACTERISTICS

Refer to additional specifications

|                        |             |
|------------------------|-------------|
| RATING                 | 0.3A 50V DC |
| CIRCUIT                | 4P2T        |
| CONTACT RESISTANCE     | 100mΩ MAX.  |
| TIMING                 | SHORTING    |
| TRAVEL                 | 2mm         |
| OPERATING FORCE        | 300±100gf   |
| OPERATING LIFE(cycles) | 10,000      |

|     |              |                |      |           |                      |          |    |
|-----|--------------|----------------|------|-----------|----------------------|----------|----|
| 8   |              |                |      |           | WITHIN 1.5mm: ±0.1mm | UNITS    | mm |
| 7   |              |                |      |           | OVER 1.5mm: ±0.2mm   | MAT'L    |    |
| 6   | SPRING PLATE | SUS            | 1    | NATURAL   |                      | SEE NOTE |    |
| 5   | CONTACT CLIP | PBS STRIP      | 4    | Ag PLATED |                      |          |    |
| 4   | TERMINAL     | BRASS STRIP    | 12   | Ag PLATED |                      | FINISH   |    |
| 3   | BASE         | PHENOLIC RESIN | 1    | NATURAL   |                      | SEE NOTE |    |
| 2   | FRAME        | STEEL STRIP    | 1    | Ni PLATED |                      | Q'TY     |    |
| 1   | KNOB         | POM            | 1    | BLACK     |                      |          |    |
| NO. | PARTS        | MATERIAL       | Q'TY | FINISHING |                      |          |    |

THESE DRAWINGS AND SPECIFICATIONS ARE THE PROPERTY OF ACCURATE INNOVATECH INC AND SHALL NOT BE REPRODUCED, COPIED OR USED IN ANY MANNER WITHOUT THE PRIOR WRITTEN CONSENT OF ACCURATE INNOVATECH INC.

|                  |  |                  |  |                           |  |           |  |
|------------------|--|------------------|--|---------------------------|--|-----------|--|
| 东莞市腾兴电子有限公司      |  |                  |  | TITLE:                    |  | PART NO.: |  |
|                  |  |                  |  | SLIDE SWITCH / HORIZONTAL |  | SK-42D01  |  |
| DR:              |  | CHKD:            |  | SCALE                     |  | SHEET     |  |
| Ricky 2016/07/19 |  | Ricky 2016/07/19 |  | 3:1                       |  | 1/1       |  |
| APPD:            |  | REV.:            |  | CUSTOMER                  |  | DRAWING   |  |
|                  |  | A                |  |                           |  |           |  |