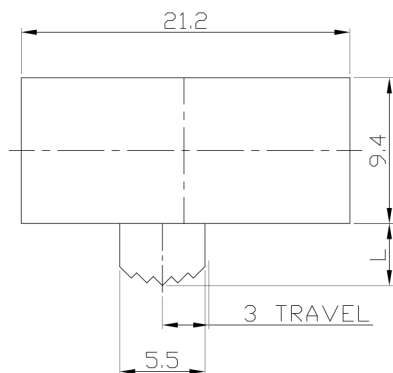




**RoHS Compliant**  
2002/95/EC

REV.	ECN.	NO.	APPD.

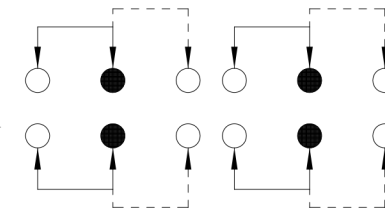
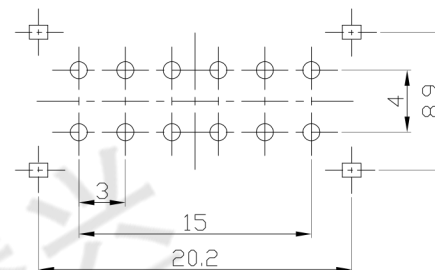
**DIMENSIONS**



MODEL CODE

SK-42F01-GDB

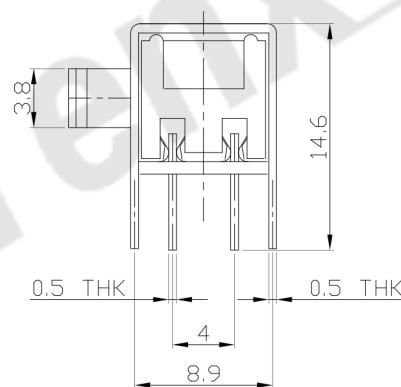
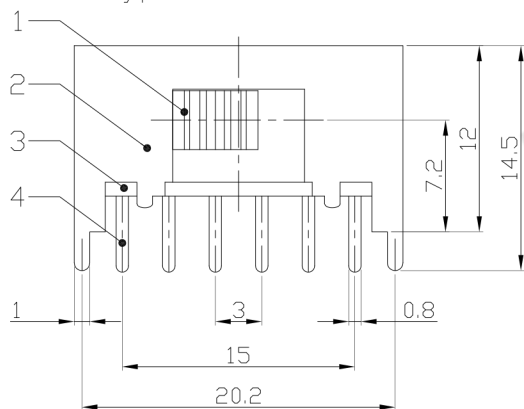
Knob Type	L(mm)
GDB	~



P.C.B LAYOUT  
BOTTOM VIEW

CIRCUIT DIAGRAM

GDB Type



**ELECTRO-MECHANICAL CHARACTERISTICS**  
Refer to additional specifications

RATING	0.3A 50V DC
CIRCUIT	4P2T
CONTACT RESISTANCE	100mΩ MAX.
TIMING	SHORTING
TRAVEL	3mm
OPERATING FORCE	300±100gf
OPERATING LIFE(cycles)	10,000

NO.	PARTS	MATERIAL	Q'TY	FINISHING
8				
7	STEEL BALL	STEEL	1	NATURAL
6	SPRING	STEEL WIER	1	TEMPER
5	CONTACT CLIP	PBS STRIP	4	Ag PLATED
4	TERMINAL	BRASS STRIP	12	Ag PLATED
3	BASE	PHENDLIC RESIN	1	NATURAL
2	FRAME	STEEL STRIP	1	Ni PLATED
1	KNOB	POM	1	BLACK
NO.	PARTS	MATERIAL	Q'TY	FINISHING

WITHIN 1.5mm: ±0.1mm  
OVER 1.5mm: ±0.2mm

UNITS mm

MAT'L

SEE NOTE

FINISH

SEE NOTE

Q'TY

THESE DRAWINGS AND SPECIFICATIONS ARE THE PROPERTY OF ACCURATE INNO TECH INC AND SHALL NOT BE REPRODUCED, COPIED OR USED IN ANY MANNER WITHOUT THE PRIOR WRITTEN CONSENT OF ACCURATE INNO TECH INC.

**东莞市腾兴电子有限公司**

TITLE: SLIDE SWITCH / HORIZONTAL PART NO.: SK-42F01

DR: Ricky 2016/07/15 DWG NO.: ADL-42F01

CHKD: Ricky 2016/07/15

APPD:

SCALE	SHEET	REV.	CUSTOMER DRAWING
2:1	1/1	A	